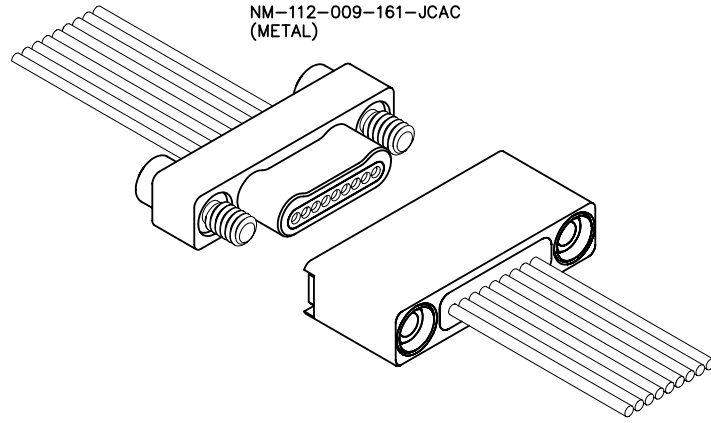


**1 • ROW**  
**Cable**  
**to Cable**  
**.025"**

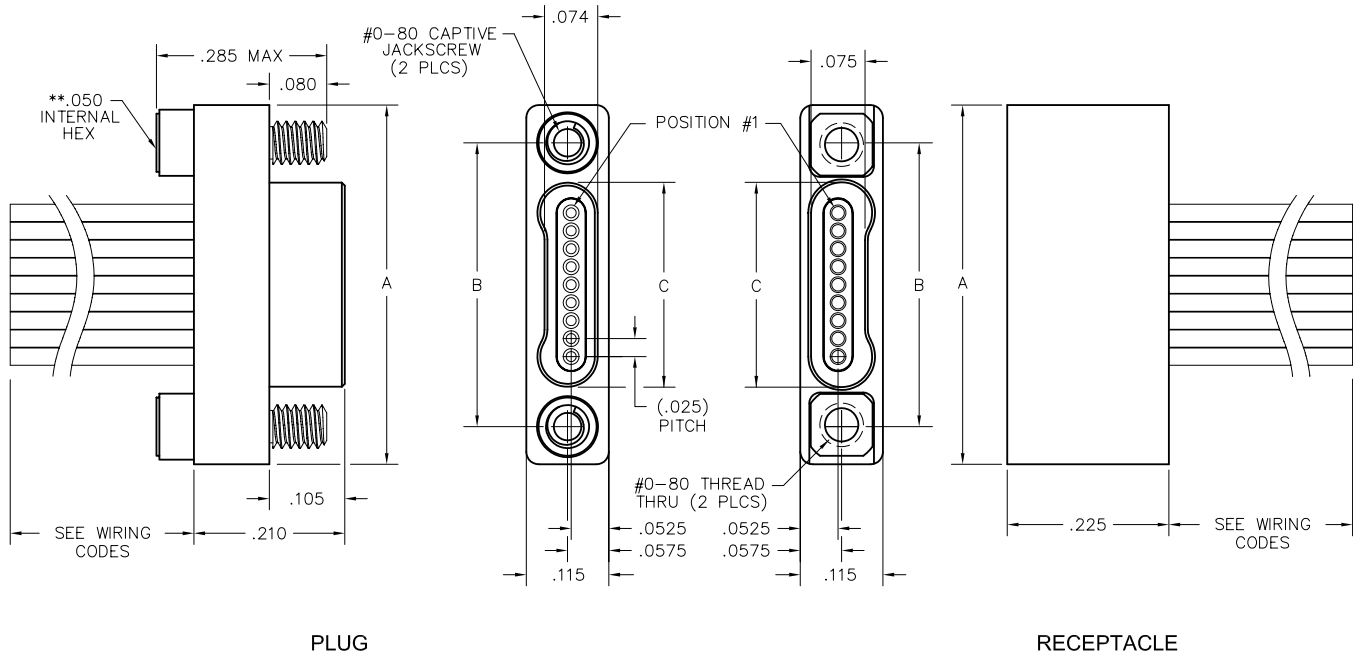
**NM, NM**

9 thru 51 Contacts

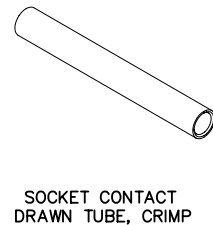


NM-112-009-161-JCAC  
(METAL)

NM-122-009-261-THAC  
(METAL)



SIZE	A	B	C	
			PLUG	RCPT
9	.500	.395	.284	.285
15	.650	.545	.434	.435
21	.800	.695	.584	.585
25	.900	.795	.684	.685
31	1.050	.945	.834	.835
37	1.200	1.095	.984	.985
51	1.550	1.445	1.334	1.335



\*\* = HEX MEASUREMENT TAKEN ACROSS THE FLATS.

— CLICK HERE —

**REQUEST QUOTE**

www.geminelec.com

PAGE 1 OF 4 PAGES

(800) 882-6414 | sales@geminelec.com



**PLUG:** NM-112-009-161-JCAC  
**RECEPTACLE:** NM-122-009-261-THAC  
XX-XXX-XXX-XXX-XXXX

PLUG		RECEPTACLE	
<b>SERIES</b>			
NM .025" Metal I/O Connector		NM .025" Metal I/O Connector	
<b>BODY</b>			
1	1-Row	1	1-Row
<b>BODY STYLE:</b>		<b>BODY STYLE:</b>	
1	Plug, straight	2	Receptacle, straight
5	Plug, straight with factory installed backshell (See page NA-4)	6	Receptacle, straight with factory installed backshell (See page NA-4)
<b>BODY MATERIAL:</b>		<b>BODY MATERIAL:</b>	
2	Liquid Crystal Polymer w/ electroless nickel shell	2	Liquid Crystal Polymer w/ electroless nickel shell
3	Liquid Crystal Polymer w/ electrodeposited cadmium shell <input checked="" type="checkbox"/>	3	Liquid Crystal Polymer w/ electrodeposited cadmium shell <input checked="" type="checkbox"/>
4	Liquid Crystal Polymer w/ stainless steel shell ***	4	Liquid Crystal Polymer w/ stainless steel shell ***
5	Liquid Crystal Polymer w/ titanium shell ***	5	Liquid Crystal Polymer w/ titanium shell ***
<b>SIZE</b>			
XXX Number of contacts (009, 015, 021, 025, 031, 037 or 051)		XXX Number of contacts (009, 015, 021, 025, 031, 037 or 051)	
<b>CONTACTS</b>			
<b>TYPE CONTACTS/TERMINATIONS:</b>		<b>TYPE CONTACTS/TERMINATIONS:</b>	
16	Pin, straight, crimped wire	26	Socket, straight, crimped wire
<b>PLATING OPTIONS:</b>		<b>PLATING OPTIONS:</b>	
1	50 u" Au contacts	1	50 u" Au contacts
<b>HARDWARE</b>			
<b>STYLE OF HARDWARE:</b>		<b>STYLE OF HARDWARE:</b>	
00	None ***	00	None ***
JC	Turning jackscrews, captivated #0-80 UNF*	JC	Turning jackscrews, captivated #0-80 UNF* (body material 2 and 3 only)
TH	Threaded hole**, #0-80 UNF (body material 2 and 3 only)	TH	Threaded hole**, #0-80 UNF
<b>WIRING OPTIONS:</b>		<b>WIRING OPTIONS:</b>	
XX	See wiring codes, Page NA-3.10	XX	See wiring codes, Page NA-3.10

\* = Recommended torque value 1.0 inch-lbs. max.  
Ball end hex wrench not recommended  
Hex wrench key/bit conforming to the requirements of ASME / ANSI-B-18.3 is recommended.  
.050" hex L-key long arm wrench - order AirBorn p/n CDG14148.

\*\* = Threaded hole tapped directly into stainless steel and titanium shells, aluminum shells have stainless steel inserts (as shown on previous page).

\*\*\* = Not available option if specifying factory installed backshell.

= Option not RoHS compliant

— CLICK HERE —

## AirBorn Standard Nano Wire Codes

Wire Code	Wire Size	Wire Spec	Wire Color	Wire Length (+1.0"/-0.0")
AA	30 AWG	NEMA HP3	Color Coded *	6.0
AB	30 AWG	NEMA HP3	Color Coded *	12.0
AC	30 AWG	NEMA HP3	Color Coded *	18.0
AD	30 AWG	NEMA HP3	Color Coded *	36.0
AE	30 AWG	NEMA HP3	White	6.0
AF	30 AWG	NEMA HP3	White	12.0
AG	30 AWG	NEMA HP3	White	18.0
AH	30 AWG	NEMA HP3	White	36.0
AJ	30 AWG	NEMA HP3	Yellow	6.0
AK	30 AWG	NEMA HP3	Yellow	12.0
AL	30 AWG	NEMA HP3	Yellow	18.0
AM	30 AWG	NEMA HP3	Yellow	36.0
AN	32 AWG	NEMA HP3	Color Coded *	6.0
AP	32 AWG	NEMA HP3	Color Coded *	12.0
AQ	32 AWG	NEMA HP3	Color Coded *	18.0
AR	32 AWG	NEMA HP3	Color Coded *	36.0
AS	32 AWG	NEMA HP3	White	6.0
AT	32 AWG	NEMA HP3	White	12.0
AU	32 AWG	NEMA HP3	White	18.0
AV	32 AWG	NEMA HP3	White	36.0
AW	32 AWG	NEMA HP3	Yellow	6.0
AX	32 AWG	NEMA HP3	Yellow	12.0
AY	32 AWG	NEMA HP3	Yellow	18.0
AZ	32 AWG	NEMA HP3	Yellow	36.0
BA	30 AWG	SAE-AS22759/33 ☒	Color Coded *	6.0
BB	30 AWG	SAE-AS22759/33 ☒	Color Coded *	12.0
BC	30 AWG	SAE-AS22759/33 ☒	Color Coded *	18.0
BD	30 AWG	SAE-AS22759/33 ☒	Color Coded *	36.0
BE	30 AWG	SAE-AS22759/33 ☒	White	6.0
BF	30 AWG	SAE-AS22759/33 ☒	White	12.0
BG	30 AWG	SAE-AS22759/33 ☒	White	18.0
BH	30 AWG	SAE-AS22759/33 ☒	White	36.0
CA	30 AWG	04047-30A ☒	Color Coded *	6.0
CB	30 AWG	04047-30A ☒	Color Coded *	12.0
CC	30 AWG	04047-30A ☒	Color Coded *	18.0
CD	30 AWG	04047-30A ☒	Color Coded *	36.0
CE	30 AWG	04047-30A ☒	White	6.0
CF	30 AWG	04047-30A ☒	White	12.0
CG	30 AWG	04047-30A ☒	White	18.0
CH	30 AWG	04047-30A ☒	White	36.0

- NEMA HP3 has replaced MIL-W-16878/6 TFE 7-strand ET
- Consult factory for other available wire types.

\* = Color coding in accordance with MIL-STD-681, System I, except using ten solid colors only in repeating sequence.

☒ = Option not RoHS compliant

— CLICK HERE —

