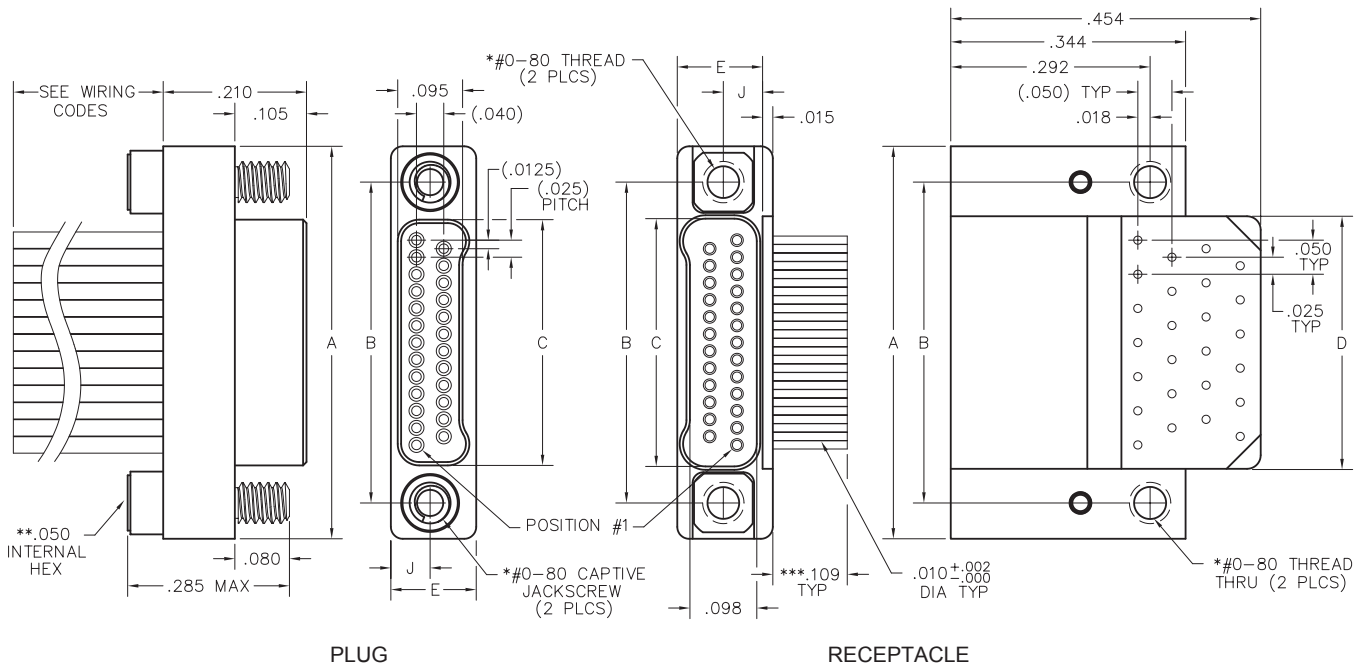
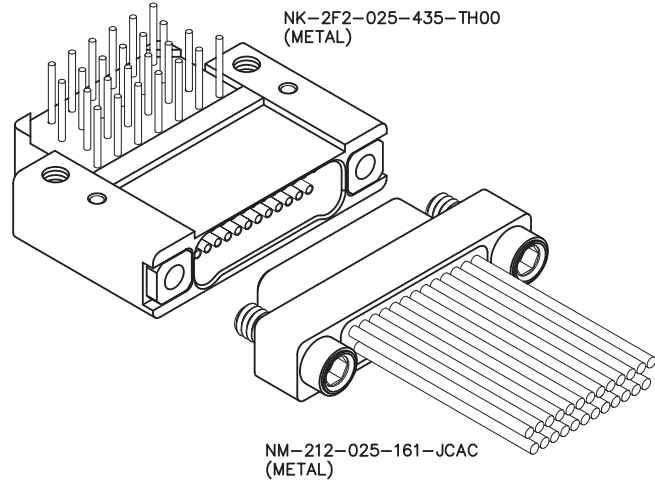


**2 · ROW**  
**Cable to Board**  
**Right Angle PTH**  
**.025"**

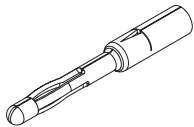
**NM, NK**

9 thru 91 Contacts

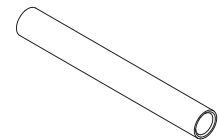


PLUG

RECEPTACLE



PIN CONTACT  
3 TINE SPRING MEMBER, CRIMP



SOCKET CONTACT  
DRAWN TUBE, CRIMP

SIZE	A	B	C		D	E	J	*HARDWARE
			PLUG	RCPT				
9	.375	.270	.160	.163	.170	.125	.0575	#0-80 THREAD
15	.450	.345	.235	.238	.245			
21	.525	.420	.310	.313	.320			
25	.575	.470	.360	.363	.370			
31	.650	.545	.435	.438	.445			
37	.725	.620	.510	.513	.520			
51	.900	.795	.685	.688	.695			
65	1.075	.970	.860	.863	.870			
69	1.125	1.020	.910	.913	.920			
85	1.377	1.246	1.110	1.113	1.120			
91	1.452	1.321	1.185	1.188	1.195			

\* = #2-56 UNC THREAD ON 85 AND 91 POSITION CONNECTORS.  
 \*\* = 1/16" HEX ON 85 AND 91 POSITION CONNECTORS. HEX MEASUREMENT TAKEN ACROSS THE FLATS.  
 \*\*\* = OTHER LENGTHS AS REQUIRED

— CLICK HERE —

**REQUEST QUOTE**

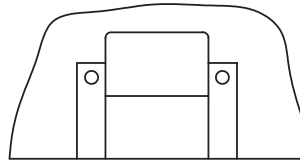
www.geminelec.com

PAGE 1 OF 4 PAGES

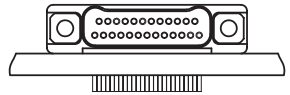
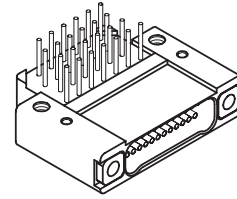
(800) 882-6414 | sales@geminelec.com

## Recommended PC Board Layout

Right Angle PTH Receptacle  
FOR REFERENCE ONLY

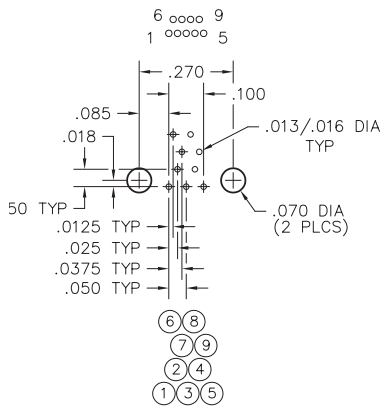


PC BOARD LAYOUT  
COMPONENT SIDE

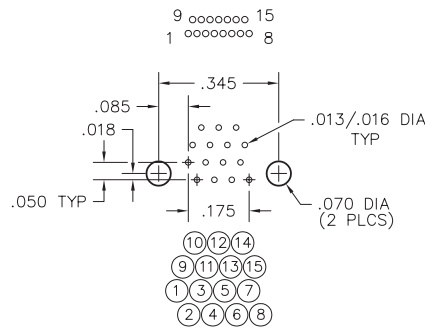


CONNECTOR MATING FACE

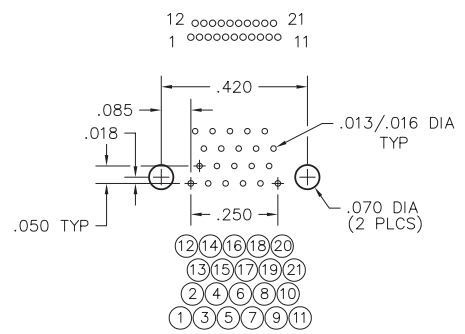
### 9 POSITION



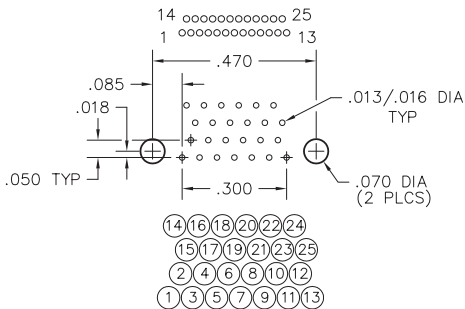
### 15 POSITION



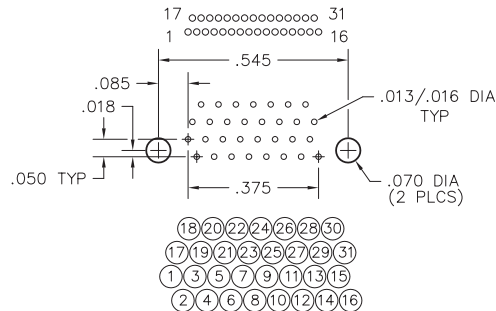
### 21 POSITION



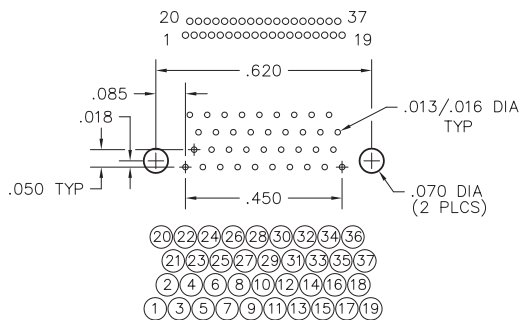
### 25 POSITION



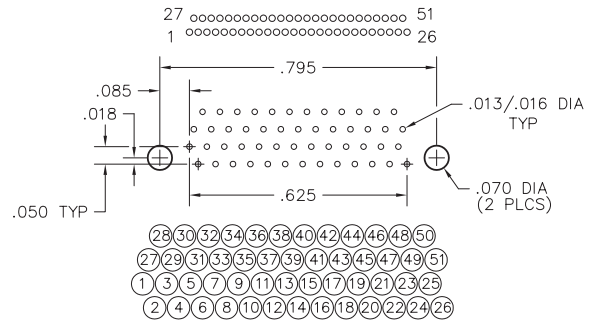
### 31 POSITION



### 37 POSITION



### 51 POSITION



— CLICK HERE —

**PLUG:** NM-212-025-161-JCAC  
**RECEPTACLE:** NK-2F2-025-435-TH00  
XX-XXX-XXX-XXX-XXXX

PLUG	RECEPTACLE
<b>SERIES</b>	

NM .025" Metal I/O Connector	NK .025" Metal PC Board Mounted Connector
------------------------------	---

<b>BODY</b>	
-------------	--

2 2-Row  BODY STYLE: 1 Plug, straight 5 Plug, straight, with factory installed backshell (See page NA-3)  BODY MATERIAL: 2 Liquid Crystal Polymer w/ electroless nickel shell 3 Liquid Crystal Polymer w/ electrodeposited cadmium shell <input checked="" type="checkbox"/>	2 2-Row  BODY STYLE: F Receptacle, right angle, plated thru hole (PTH)  BODY MATERIAL: 2 Liquid Crystal Polymer w/ electroless nickel shell 3 Liquid Crystal Polymer w/ electrodeposited cadmium shell <input checked="" type="checkbox"/>
--	---

<b>SIZE</b>	
-------------	--

XXX Number of contacts (009, 015, 021, 025, 031, 037, 051, 065, 069, 085 or 091)	XXX Number of contacts (009, 015, 021, 025, 031, 037, 051, 065, 069, 085 or 091)
--	--

<b>CONTACTS</b>	
-----------------	--

TYPE CONTACTS/TERMINATIONS: 16 Pin, straight, crimped wire  PLATING OPTIONS: 1 50 u" Au contacts	TYPE CONTACTS/TERMINATIONS: 43 Socket, right angle, .109" 44 Socket, right angle, .140" 45 Socket, right angle, .172"  PLATING OPTIONS: 5 50 u" Au contacts; Sn/Pb alloy terminations <input checked="" type="checkbox"/> 8 50 u" Au contacts; Tin plated terminations
--	---

<b>HARDWARE</b>	
-----------------	--

STYLE OF HARDWARE: 00 None JC Turning jackscrews, captivated #0-80 UNF*  WIRING OPTIONS: XX See wiring codes, Page NA-2	STYLE OF HARDWARE: 00 None TH Threaded hole, #0-80 UNF*  WIRING OPTIONS: 00 None
--	---

\* = #2-56 UNC thread on 85 and 91 position connectors  
 .050 hex key (#0-80 thread)  
 1/16" hex key (#2-56 thread)  
 Recommended torque value 1.0 inch-lbs. max. (#0-80 thread)  
 Recommended torque value 2.0 inch-lbs. max. (#2-56 thread)  
 Ball end hex wrench not recommended  
 Hex wrench key/bit conforming to the requirements of ASME / ANSI-B-18.3 is recommended.  
 .050" hex L-key long arm wrench - order AirBorn p/n CDG14148.  
 1/16" hex L-key long arm wrench - order AirBorn p/n CDG14160.

= Option not RoHS compliant

— CLICK HERE —

