

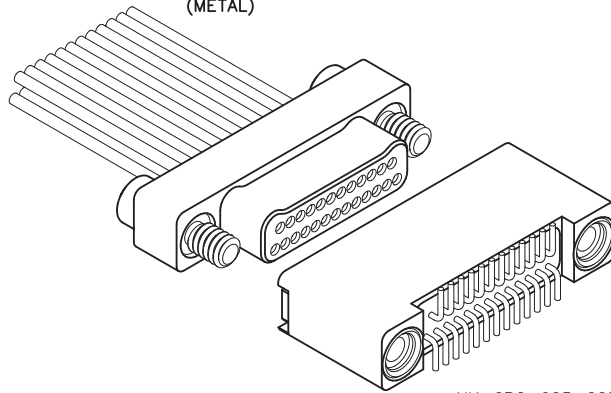
2 • ROW
Cable to Board
Vertical SMT

.025"

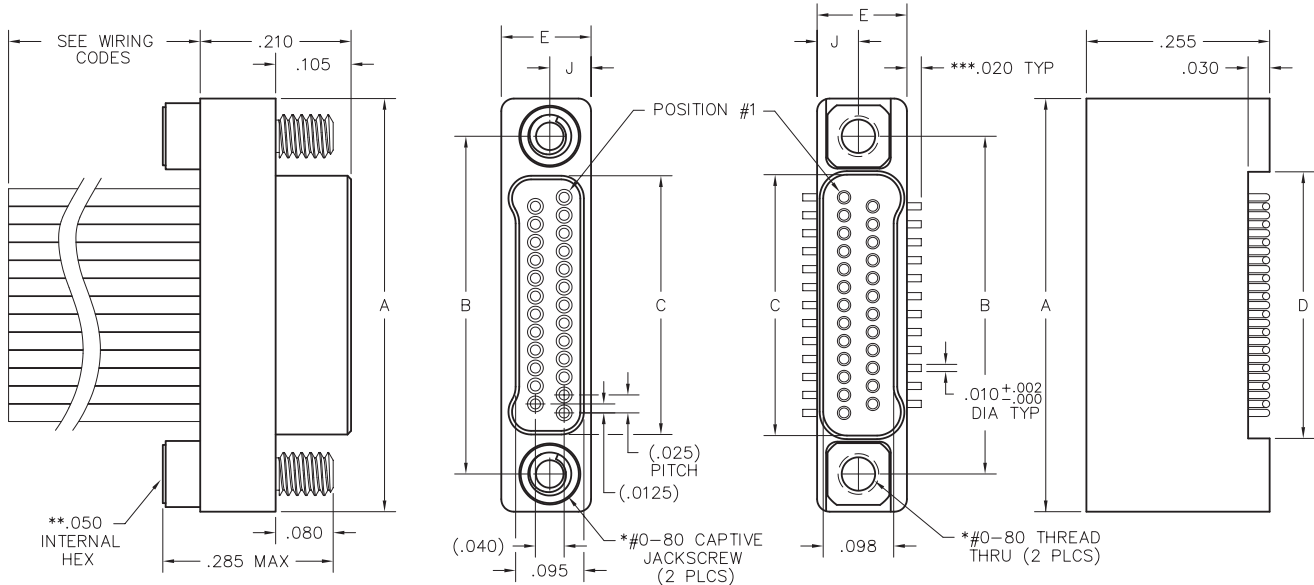
NM, NK

9 thru 91 Contacts

NM-212-025-161-JCAC
(METAL)

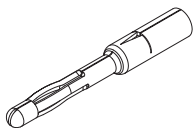


NK-2B2-025-225-TH00
(METAL)



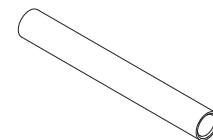
PLUG

RECEPTACLE



PIN CONTACT
3 TINE SPRING MEMBER, CRIMP

SIZE	DIMENSIONS		C		D	E	J	*HARDWARE
	A	B	PLUG	RCPT				
9	.375	.270	.160	.163	.170			
15	.450	.345	.235	.238	.245			
21	.525	.420	.310	.313	.320			
25	.575	.470	.360	.363	.370			
31	.650	.545	.435	.438	.445	.125	.0575	#0-80 THREAD
37	.725	.620	.510	.513	.520			
51	.900	.795	.685	.688	.695			
65	1.075	.970	.860	.863	.870			
69	1.125	1.020	.910	.913	.920			
85	1.377	1.246	1.110	1.113	1.120	.150	.0700	#2-56 THREAD
91	1.457	1.321	1.185	1.188	1.195			



SOCKET CONTACT
DRAWN TUBE, CRIMP

* = #2-56 UNC THREAD ON 85 AND 91 POSITION CONNECTORS.
 ** = 1/16" HEX ON 85 POSITION CONNECTORS. HEX MEASUREMENT TAKEN ACROSS THE FLATS.
 *** = DIMENSION CHANGES TO .040" FOR "010" OPTION. SEE PAGE N-50.

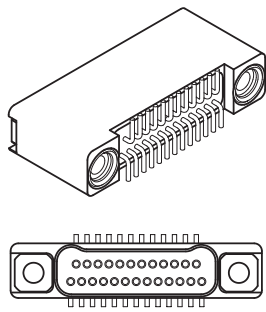
— CLICK HERE —

REQUEST QUOTE

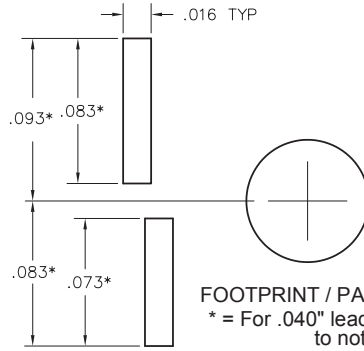
www.geminelec.com

PAGE 1 OF 4 PAGES

(800) 882-6414 | sales@geminelec.com



CONNECTOR MATING FACE

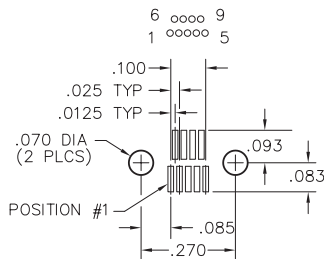


FOOTPRINT / PAD CONFIGURATION
* = For .040" lead envelope, add .020" to noted dimensions

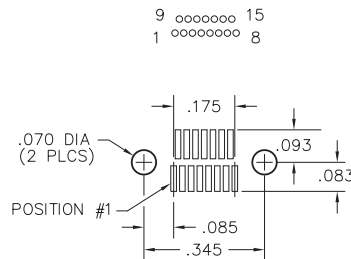
Recommended PC Board Layout

Vertical SMT Receptacle
.020 & .040 Lead Envelopes
FOR REFERENCE ONLY

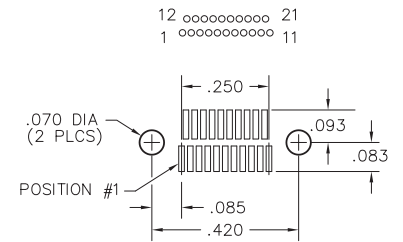
9 POSITION



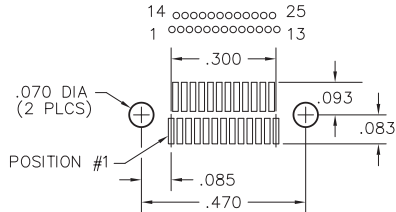
15 POSITION



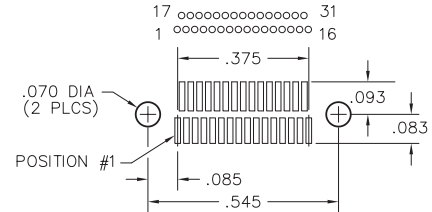
21 POSITION



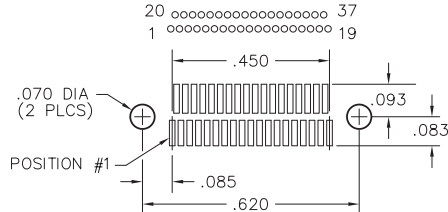
25 POSITION



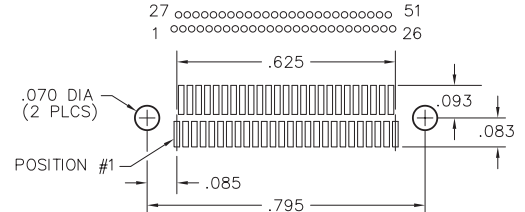
31 POSITION



37 POSITION



51 POSITION



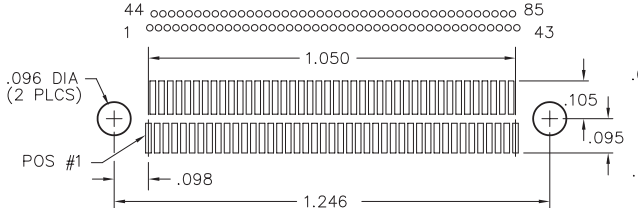
65 POSITION



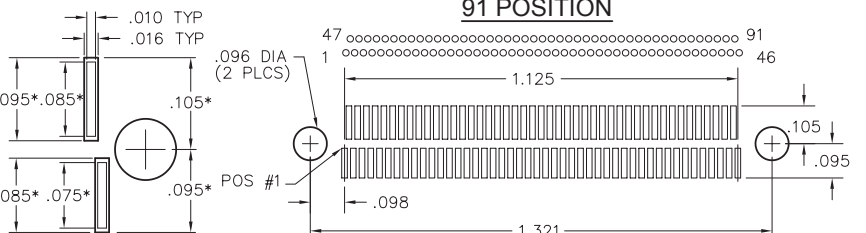
69 POSITION



85 POSITION



91 POSITION



— CLICK HERE —

REQUEST QUOTE

www.geminelec.com

PAGE 2 OF 4 PAGES

(800) 882-6414 | sales@geminelec.com

PLUG: NM-212-025-161-JCAC
RECEPTACLE: NK-2B2-025-225-TH00
XX-XXX-XXX-XXX-XXXX-XXX

PLUG

RECEPTACLE

SERIES

NM .025" Metal I/O Connector | NK .025" Metal PC Board Mounted Connector

BODY

<p>2 2-Row</p> <p>BODY STYLE:</p> <p>1 Plug, straight</p> <p>5 Plug, straight, with factory installed backshell (See page NA-3)</p> <p>BODY MATERIAL:</p> <p>2 Liquid Crystal Polymer w/ electroless nickel shell</p> <p>3 Liquid Crystal Polymer w/ electrodeposited cadmium shell <input checked="" type="checkbox"/></p>	<p>2 2-Row</p> <p>BODY STYLE:</p> <p>B Receptacle, vertical mount SMT</p> <p>BODY MATERIAL:</p> <p>2 Liquid Crystal Polymer w/ electroless nickel shell</p> <p>3 Liquid Crystal Polymer w/ electrodeposited cadmium shell <input checked="" type="checkbox"/></p>
---	---

SIZE

XXX Number of contacts (009, 015, 021, 025, 031, 037, 051, 065, 069, 085 or 091) | XXX Number of contacts (009, 015, 021, 025, 031, 037, 051, 065, 069, 085 or 091)

CONTACTS

<p>TYPE CONTACTS/TERMINATIONS:</p> <p>16 Pin, straight, crimped wire</p> <p>PLATING OPTIONS:</p> <p>1 50 u" Au contacts</p>	<p>TYPE CONTACTS/TERMINATIONS:</p> <p>22 Socket, SMT (.020 lead envelope)</p> <p>PLATING OPTIONS:</p> <p>5 50 u" Au contacts; Sn/Pb alloy terminations <input checked="" type="checkbox"/></p> <p>8 50 u" Au contacts; Tin plated terminations</p>
---	--

HARDWARE

<p>STYLE OF HARDWARE:</p> <p>00 None</p> <p>JC Turning jackscrews, captivated #0-80 UNF*</p> <p>WIRING OPTIONS:</p> <p>XX See wiring codes, Page NA-2</p>	<p>STYLE OF HARDWARE:</p> <p>00 None</p> <p>TH Threaded hole, #0-80 UNF*</p> <p>WIRING OPTIONS:</p> <p>00 None</p>
---	--

OPTIONS

| 010 .040 lead envelope

* = #2-56 UNC thread on 85 and 91 position connectors
.050 hex key (#0-80 thread)
1/16" hex key (#2-56 thread)
Recommended torque value 1.0 inch-lbs. max. (#0-80 thread)
Recommended torque value 2.0 inch-lbs. max. (#2-56 thread)
Ball end hex wrench not recommended
Hex wrench key/bit conforming to the requirements of ASME / ANSI-B-18.3 is recommended.
.050" hex L-key long arm wrench - order AirBorn p/n CDG14148.
1/16" hex L-key long arm wrench - order AirBorn p/n CDG14160.

— CLICK HERE —

