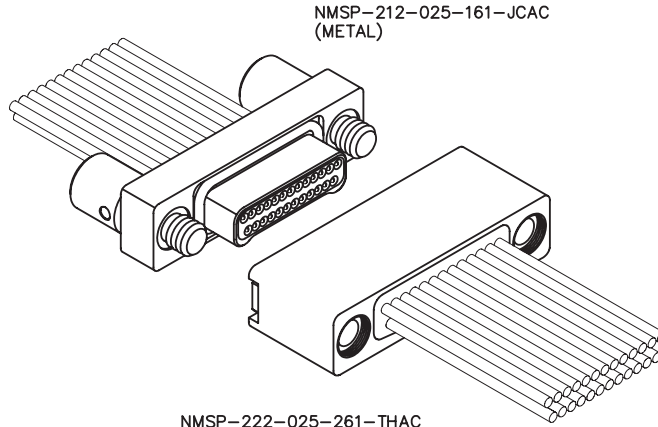


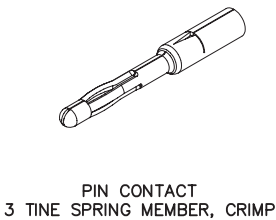
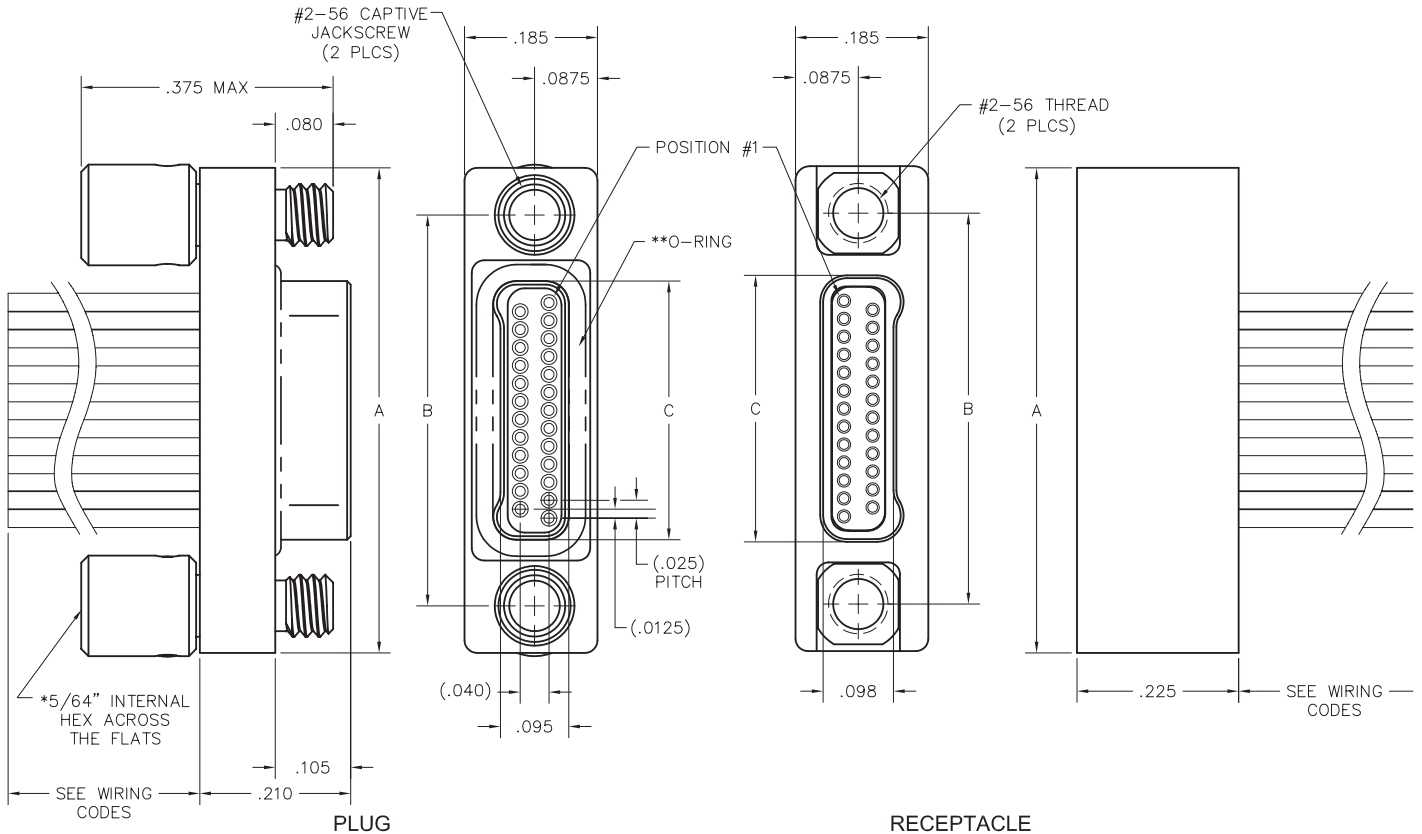
2 · ROW
Splashproof**
Cable to Cable
.025"

NMSP, NMSP

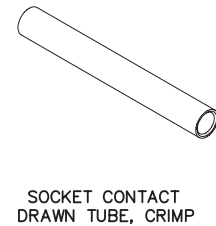
9 thru 85 Contacts



NMSP-222-025-261-THAC
(METAL)



SIZE	DIMENSIONS		C		HARDWARE
	A	B	PLUG	RCPT	
9	.475	.344	.160	.163	#2-56 THREAD
15	.550	.419	.235	.238	
21	.625	.494	.310	.313	
25	.675	.544	.360	.363	
31	.750	.619	.435	.438	
37	.825	.694	.510	.513	
51	1.000	.869	.685	.688	
65	1.175	1.044	.860	.863	
69	1.225	1.094	.910	.913	
85	1.425	1.294	1.110	1.113	



**The o-ring seal provides moisture resistance to fog, humidity and splashing.

— CLICK HERE —

REQUEST QUOTE

www.geminelec.com

PAGE 1 OF 3 PAGES

(800) 882-6414 | sales@geminelec.com

PLUG: NMSP-212-025-161-JCAC
RECEPTACLE: NMSP-222-025-261-THAC
XXXX-XXX-XXX-XXX-XXXX

PLUG

RECEPTACLE

SERIES

NMSP .025" Metal Splashproof I/O Connector | NMSP .025" Metal Splashproof I/O Connector

BODY

2	2-Row	2	2-Row
1	BODY STYLE: Plug, straight, with fluorosilicone o-ring	2	BODY STYLE: Receptacle, straight
2	BODY MATERIAL: Liquid Crystal Polymer w/ electroless nickel shell	2	BODY MATERIAL: Liquid Crystal Polymer w/ electroless nickel shell
3	Liquid Crystal Polymer w/ electrodeposited cadmium shell <input checked="" type="checkbox"/>	3	Liquid Crystal Polymer w/ electrodeposited cadmium shell <input checked="" type="checkbox"/>

SIZE

XXX Number of contacts (009, 015, 021, 025, 031, 037, 051, 065, 069, or 085) | XXX Number of contacts (009, 015, 021, 025, 031, 037, 051, 065, 069, or 085)

CONTACTS

16	TYPE CONTACTS/TERMINATIONS: Pin, straight, crimped wire	26	TYPE CONTACTS/TERMINATIONS: Socket, straight, crimped wire
1	PLATING OPTIONS: 50 u" Au contacts	1	PLATING OPTIONS: 50 u" Au contacts

HARDWARE

JC	STYLE OF HARDWARE: Turning jackscrews, captivated #2-56 UNF*	JC	STYLE OF HARDWARE: Turning jackscrews, captivated #2-56 UNF*
TH	Threaded hole, #2-56 UNF	TH	Threaded hole, #2-56 UNF
XX	WIRING OPTIONS: See wiring codes, Page NA-2	XX	WIRING OPTIONS: See wiring codes, Page NA-2

* 5/64" hex key
Recommended torque value 2.0 inch-lbs. max.
Ball end hex wrench not recommended
Hex wrench key/bit conforming to the requirements of ASME / ANSI-B-18.3 is recommended.
5/64" hex L-key long arm wrench - order AirBorn p/n CDG14179.

= Option not RoHS compliant

Specifications Materials and Finishes *

Contacts:	Pins: BeCu alloy strip per ASTM-B-194 Sockets: BeCu per ASTM-B-194 or NiAg per ASTM-B-122
Embedment:	Insulating compound per MIL-I-16923
Contact Finish:	Gold plate per ASTM B 488, SAE AMS 2422
Molded Insulators:	Glass filled liquid crystal polymer (LCP) per ASTM D5138 or MIL-M-24519
Shell:	Aluminum 6061-T6 per SAE AMS-QQ-A-250/11 or 6061-T6511 per SAE AMS-QQ-A-200/8 - OR - 303 Stainless Steel per ASTM A581/A581M or ASTM A582/A582M Passivated per SAE AMS-2700 - OR - Titanium per SAE-AMS-T-9046 Passivated per ASTM-B-600
Aluminum Shell Finishes:	Electroless Nickel per SAE AMS-C-26074 -OR- Electrodeposited Cadmium per SAE AMS-QQ-P-416
Hardware:	Corrosion resistant steel per ASTM A581/A581M or ASTM A582/A582M Passivated per SAE AMS-2700
Tolerances:	Unless otherwise specified: Decimals = .XXX = ±.005" .XXXX = ±.0050" Angles = ±2°

Note: AirBorn can manufacture special configurations for your exact specifications.

* = Reference the above listed specifications or an equivalent industry standard when applicable