

2 • ROW

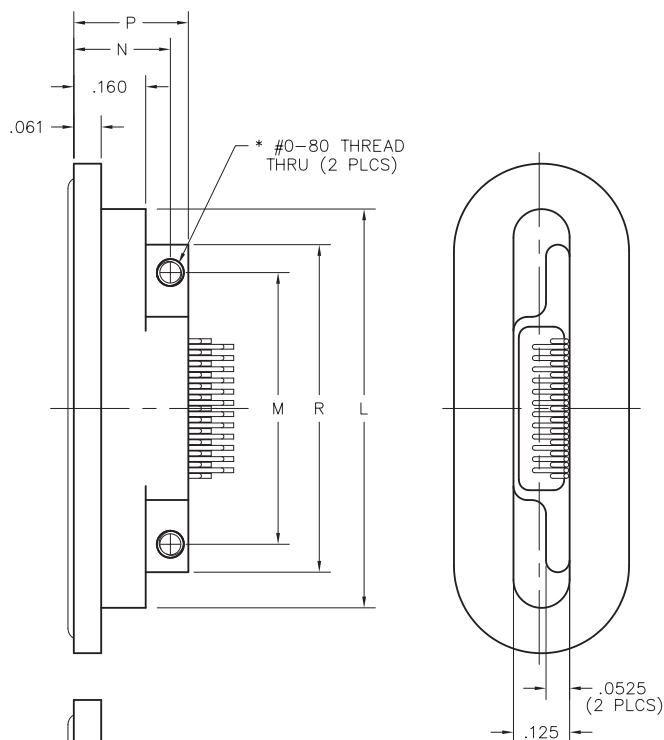
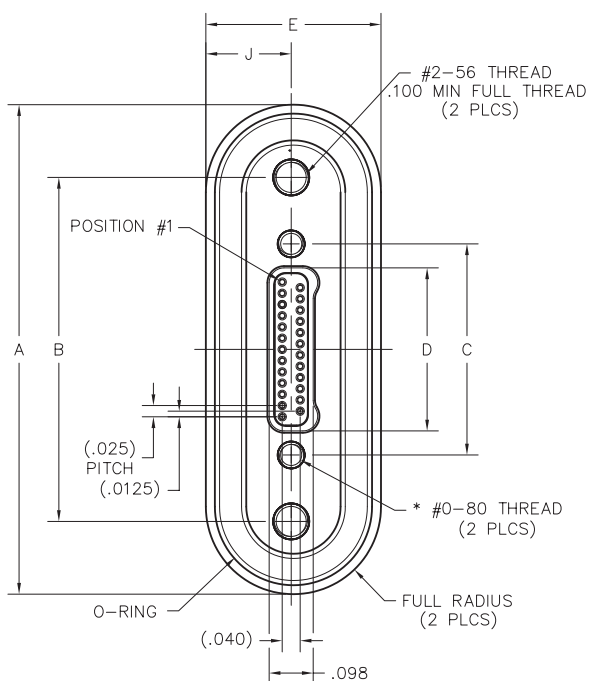
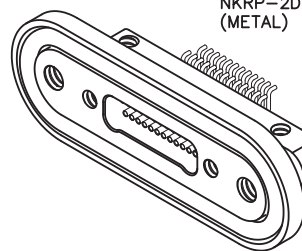
Rear Panel Mount Horizontal SMT

.025"

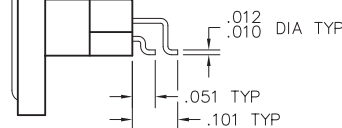
NKRP

9 thru 85 Contacts

NKRP-2D4-025-225-TH00
(METAL)



RECEPTACLE



| DIMENSIONS | | | | | | | | | | | |
|------------|-------|-------|-------|-------|-------|-------|-------|-------|------|------|-------|
| SIZE | A | B | C | D | E | J | L | M | N | P | R |
| 9 | .890 | .566 | .270 | .163 | .390 | .190 | .688 | .405 | .215 | .255 | .531 |
| 15 | .965 | .641 | .345 | .238 | | | .763 | .480 | | | .606 |
| 21 | 1.040 | .716 | .420 | .313 | | | .838 | .555 | | | .681 |
| 25 | 1.090 | .766 | .470 | .363 | | | .888 | .605 | | | .731 |
| 31 | 1.165 | .841 | .545 | .438 | | | .963 | .680 | | | .806 |
| 37 | 1.240 | .916 | .620 | .513 | | | 1.038 | .755 | | | .881 |
| 51 | 1.415 | 1.091 | .795 | .688 | | | 1.213 | .930 | | | 1.056 |
| 65 | 1.590 | 1.266 | .970 | .863 | | | 1.388 | 1.105 | | | 1.231 |
| 69 | 1.640 | 1.316 | 1.020 | .913 | 1.438 | 1.155 | 1.281 | | | | |
| 85 | 1.892 | 1.568 | 1.246 | 1.113 | .415 | .2025 | 1.690 | 1.407 | .244 | .300 | 1.533 |

* = #2-56 UNC THREAD ON 85 POSITION CONNECTORS.

— CLICK HERE —

REQUEST QUOTE

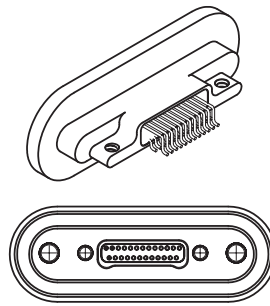
www.geminelec.com

PAGE 1 OF 4 PAGES

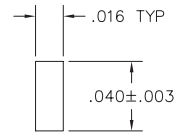
(800) 882-6414 | sales@geminelec.com

Recommended PC Board Layout

Horizontal SMT Rcpt
FOR REFERENCE ONLY

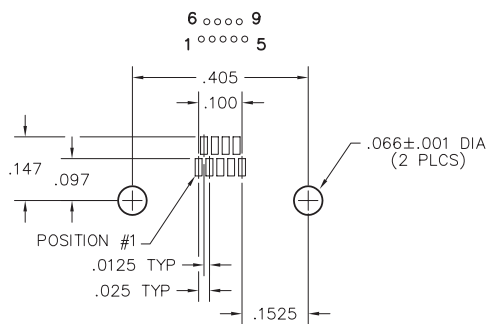


CONNECTOR MATING FACE

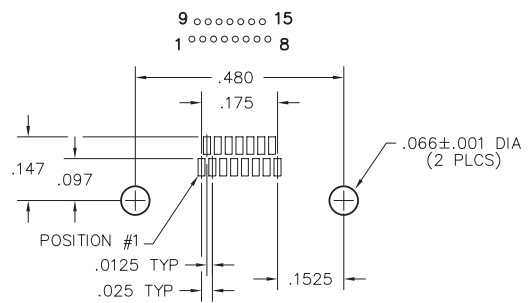


FOOTPRINT / PAD CONFIGURATION

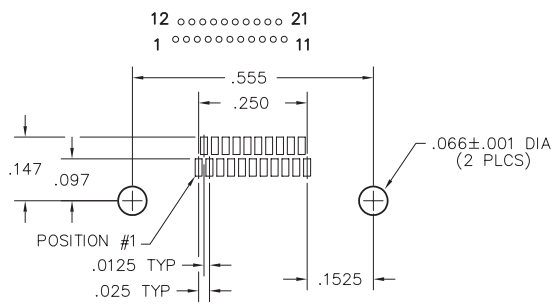
9 POSITION



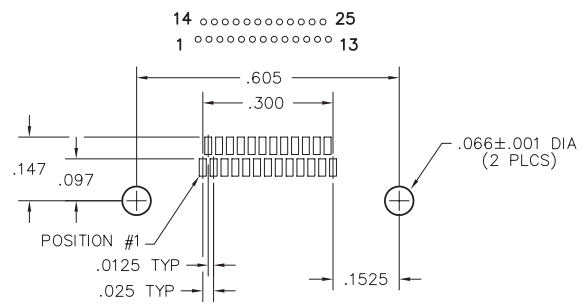
15 POSITION



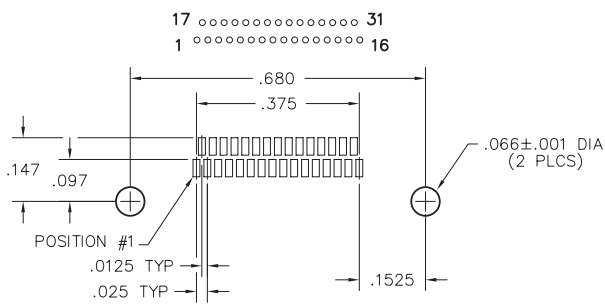
21 POSITION



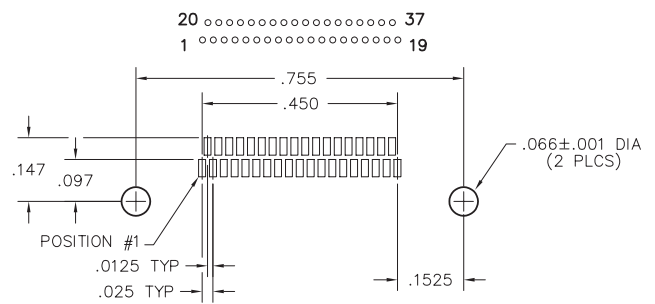
25 POSITION



31 POSITION



37 POSITION



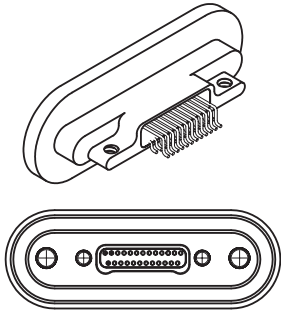
— CLICK HERE —

REQUEST QUOTE

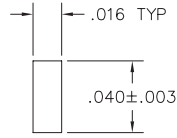
www.geminelec.com

PAGE 2 OF 4 PAGES

(800) 882-6414 | sales@geminelec.com



CONNECTOR MATING FACE

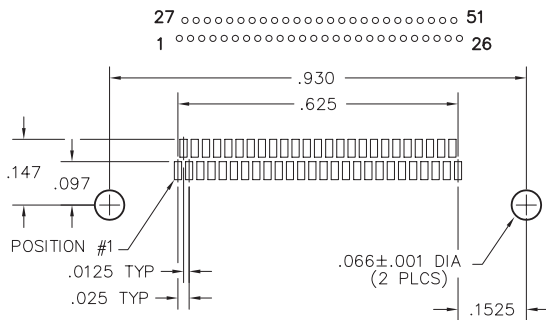


FOOTPRINT / PAD CONFIGURATION

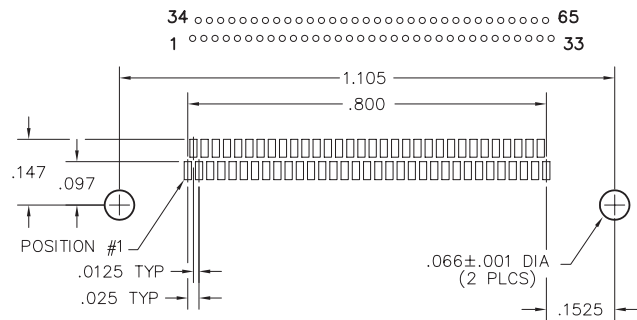
Recommended PC Board Layout

Horizontal SMT Rcpt
FOR REFERENCE ONLY

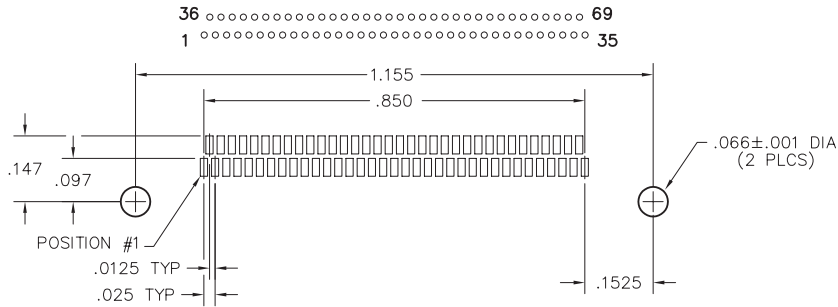
51 POSITION



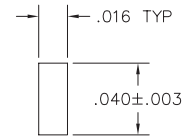
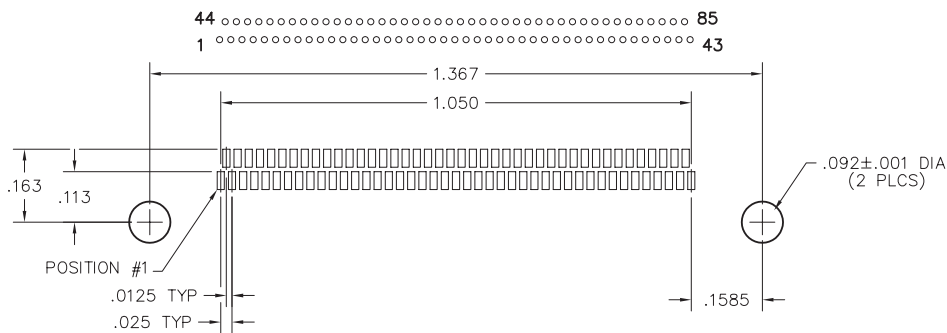
65 POSITION



69 POSITION



85 POSITION



FOOTPRINT / PAD CONFIGURATION

— CLICK HERE —

REQUEST QUOTE

www.geminelec.com

PAGE 3 OF 4 PAGES

(800) 882-6414 | sales@geminelec.com

RECEPTACLE: NKRP-2D4-025-225-TH00
XXXX-XXX-XXX-XXX-XXXX-XXX

SERIES

NKRP .025" Metal PC Board Mounted Connector

BODY

2 2-Row

BODY STYLE:

D Receptacle, horizontal SMT, rear panel mount with fluorosilicone o-ring

BODY MATERIAL:

4 Liquid Crystal Polymer w/ stainless steel shell

SIZE

XXX Number of contacts (009, 015, 021, 025, 031, 037, 051, 065, 069 or 085)

CONTACTS

TYPE CONTACTS/TERMINATIONS:

22 Socket, SMT

PLATING OPTIONS:

5 50 u" Au contacts; Sn/Pb alloy terminations
8 50 u" Au contacts; Tin plated terminations

HARDWARE

STYLE OF HARDWARE:

TH Threaded hole, #0-80 UNF*

WIRING OPTIONS:

00 None

OPTIONS

EMI EMI o-ring (in lieu of fluorosilicone o-ring)

* = #2-56 UNC thread on 85 position connectors
Recommended torque value 1.0 inch-lbs. max. (#0-80 thread)
Recommended torque value 2.0 inch-lbs. max. (#2-56 thread)

= Option not RoHS compliant