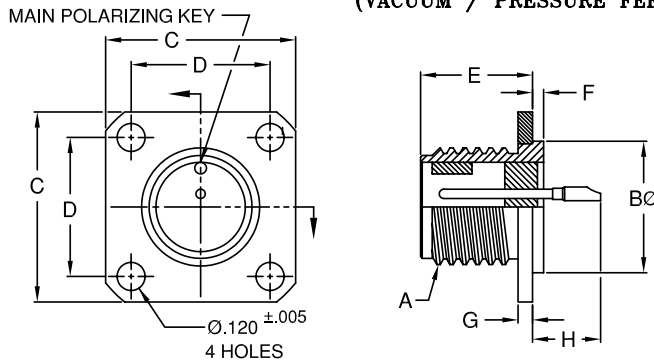


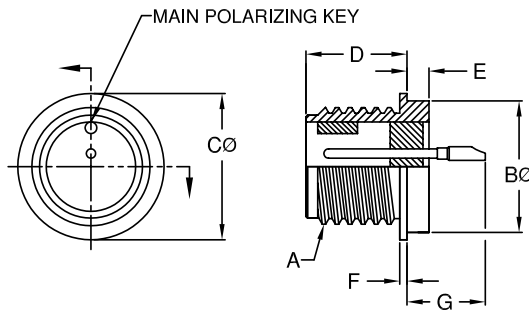
MINIATURE HERMETIC ELECTRONIC CONNECTORS—DC SERIES

**SPECIAL ACME THREAD COUPLING
MIL-DTL-26482 TYPE, COMMERCIAL EQUAL
HERMETIC GLASS-TO-METAL SEALED
(VACUUM / PRESSURE FEED THRU)**



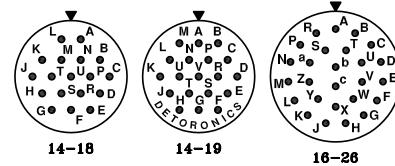
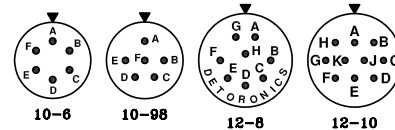
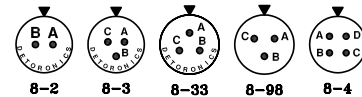
PART NO.	A THREAD CLASS 2A	BØ +.001 -.005	C ±.016	D ±.005	E +.026 -.016	F ±.016	G ±.016	H MAX.
DC02H-8-*PN	.5000 DS	.562	.812	.594	.469	.047	.062	.344
DC02H-10-*PN	.6250 DS	.672	.938	.719	.469	.047	.062	.344
DC02H-12-*PN	.7500 DS	.781	1.031	.812	.469	.047	.062	.344
DC02H-14-*PN	.8750 DS	.906	1.125	.906	.469	.047	.062	.344
DC02H-16-*PN	1.0000 DS	1.031	1.219	.969	.469	.047	.062	.344

DC02H - FLANGE MOUNT CONNECTORS



PART NO.	A THREAD CLASS 2A	BØ +.001 -.005	CØ MAX.	D +.025 -.016	E +.011 -.010	F +.006 -.005	G MAX.
DC1H-8-*PN	.5000 DS	.562	.636	.422	.094	.031	.386
DC1H-10-*PN	.6250 DS	.672	.761	.422	.094	.031	.386
DC1H-12-*PN	.7500 DS	.781	.855	.422	.094	.031	.386
DC1H-14-*PN	.8750 DS	.906	.980	.422	.094	.031	.386
DC1H-16-*PN	1.0000 DS	1.031	1.105	.422	.094	.031	.386

DC1H - SOLDER MOUNT CONNECTORS



ENGAGING FACE PIN INSERTS

* ADD DESIRED INSERT ARRANGEMENT.

▼ = INSERT ARRANGEMENT IS SHOWN IN NORMAL POSITION.

OTHER SHELL SIZES, PIN PATTERNS AND INSERT POSITIONS MAY BE AVAILABLE - CONSULT FACTORY.

MATERIAL: STANDARD IS CRS SHELL, 52 NICKEL ALLOY PINS AND NO INTERFACIAL SEAL.

STANDARD PIN IS SOLDER CUP TYPE. OTHER PIN TYPES CAN BE SUPPLIED (EYELET, STRAIGHT, THERMOCOUPLE) - CONSULT FACTORY.

STANDARD FINISH IS TIN PLATED SHELL AND PINS.

OTHER FINISHES ALSO AVAILABLE (GOLD, NICKEL, OLIVE DRAB, etc.) - CONSULT FACTORY.

SPECIALS CAN BE SUPPLIED TO MEET CUSTOMER SPECIFICATIONS - CONSULT FACTORY.

GENERAL SPECIFICATIONS

AIR LEAKAGE: 1x10⁻⁶ CM³/SEC AT 15psi

INSULATION RESISTANCE: 5,000 megohms AT 500VDC

OPERATING TEMPERATURE: -67°F TO +257°F (-55°C TO +125°C)

CURRENT RATING: SIZE 20: 5 AMPS

--- CLICK HERE ---

REQUEST QUOTE

www.geminelec.com

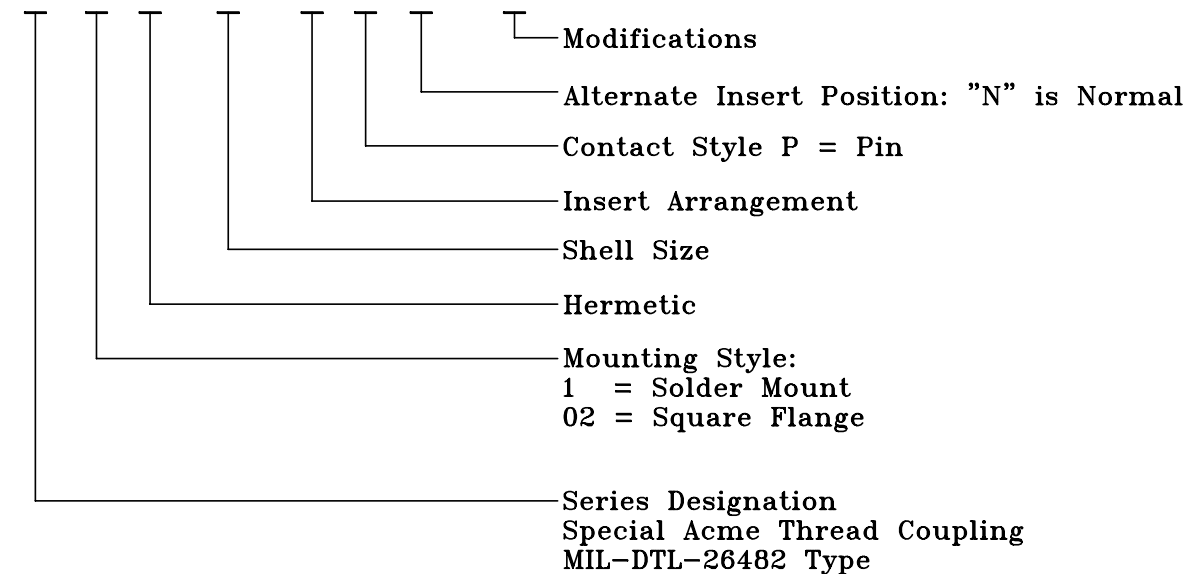
PAGE 1 OF 4 PAGES

(800) 882-6414 | sales@geminelec.com

MIL-DTL-26482 TYPE, DC SERIES
(COMMERCIAL EQUAL - HERMETIC)

PART NUMBERING SYSTEM

DC 1 H-10-6 P N-***



GENERAL SPECIFICATIONS

MATERIAL

Shell, Key and Flange: Carbon Steel
 Pins: 52 Nickel Alloy
 Seals: None
 Insulator: Glass

CURRENT RATING

Size 20: 5 AMPS

AIR LEAKAGE

1x10⁻⁶ CM³/SEC AT 15psi

INSULATION RESISTANCE

5,000 megohms AT 500VDC

OPERATING TEMPERATURE

-67°F TO +257°F (-55°C TO +125°C)

STANDARD PIN IS SOLDER CUP TYPE. OTHER PIN TYPES ALSO AVAILABLE
 (EYELET, STRAIGHT, THERMOCOUPLE) - CONSULT FACTORY.

STANDARD FINISH IS TIN PLATED SHELL AND PINS.
 OTHER FINISHES ALSO AVAILABLE (GOLD, NICKEL, OLIVE DRAB, etc.) - CONSULT FACTORY.

SPECIALS CAN BE SUPPLIED TO MEET CUSTOMER SPECIFICATIONS - CONSULT FACTORY.

02/01/10

--- CLICK HERE ---