

MINIATURE HERMETIC ELECTRONIC CONNECTORS—DJLTH SERIES

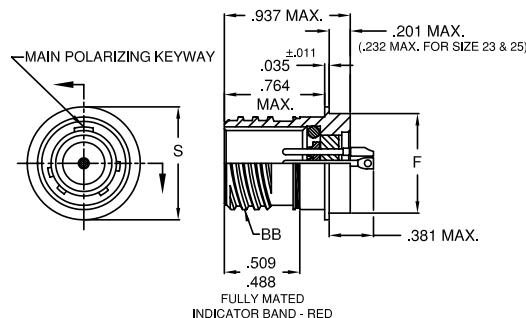
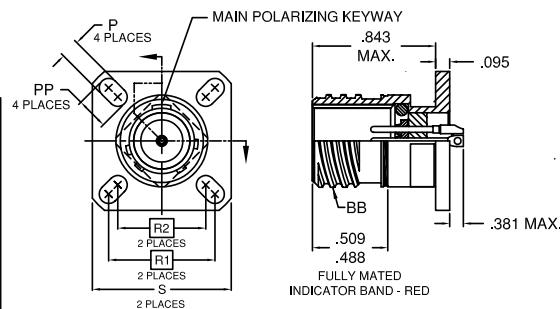
MIL-DTL-38999 SERIES III, COMMERCIAL EQUAL HERMETIC GLASS-TO-METAL SEALED (VACUUM / PRESSURE FEED THRU)

DJLTH21 BOX MOUNT FLANGE CONNECTORS (MIL-DTL-38999/21 TYPE)

PART NO.	P ±.007	PP ±.007	R1	R2	S ±.011	BB † THREAD
DJLTH21*-9*-PN	.128 IN. 3.25 MM	.216 IN. 5.49 MM	.719 IN. 18.26 MM	.594 IN. 15.09 MM	.937 IN. 23.8 MM	.6250-1-,3-2A
DJLTH21*-11*-PN	.128 IN. 3.25 MM	.194 IN. 4.93 MM	.812 IN. 20.62 MM	.719 IN. 18.26 MM	1.031 IN. 26.2 MM	.7500-1-,3-2A
DJLTH21*-13*-PN	.128 IN. 3.25 MM	.194 IN. 4.93 MM	.906 IN. 23.01 MM	.812 IN. 20.62 MM	1.126 IN. 28.6 MM	.8750-1-,3-2A
DJLTH21*-15*-PN	.128 IN. 3.25 MM	.194 IN. 4.93 MM	.969 IN. 24.61 MM	.906 IN. 23.01 MM	1.220 IN. 31.0 MM	1.000-1-,3-2A
DJLTH21*-17*-PN	.128 IN. 3.25 MM	.194 IN. 4.93 MM	1.062 IN. 26.97 MM	.969 IN. 24.61 MM	1.311 IN. 33.3 MM	1.1875-1-,3-2A
DJLTH21*-19*-PN	.128 IN. 3.25 MM	.194 IN. 4.93 MM	1.156 IN. 29.36 MM	1.062 IN. 26.97 MM	1.437 IN. 36.5 MM	1.2500-1-,3-2A
DJLTH21*-21*-PN	.128 IN. 3.25 MM	.194 IN. 4.93 MM	1.250 IN. 31.75 MM	1.156 IN. 29.36 MM	1.563 IN. 39.7 MM	1.3750-1-,3-2A
DJLTH21*-23*-PN	.154 IN. 3.91 MM	.242 IN. 6.15 MM	1.375 IN. 34.93 MM	1.250 IN. 31.75 MM	1.689 IN. 42.9 MM	1.5000-1-,3-2A
DJLTH21*-25*-PN	.154 IN. 3.91 MM	.242 IN. 6.15 MM	1.500 IN. 38.10 MM	1.375 IN. 34.93 MM	1.811 IN. 46.0 MM	1.6250-1-,3-2A

DJLTH25 SOLDER MOUNT CONNECTORS (MIL-DTL-38999/25 TYPE)

PART NO.	F MAX.	S MAX.	BB † THREAD
DJLTH25*-9*-PN	.673 IN. 17.1 MM	.764 IN. 19.4 MM	.6250-1-,3-2A
DJLTH25*-11*-PN	.783 IN. 19.9 MM	.858 IN. 21.8 MM	.7500-1-,3-2A
DJLTH25*-13*-PN	.909 IN. 23.1 MM	.980 IN. 24.9 MM	.8750-1-,3-2A
DJLTH25*-15*-PN	1.031 IN. 26.2 MM	1.106 IN. 28.1 MM	1.000-1-,3-2A
DJLTH25*-17*-PN	1.157 IN. 29.4 MM	1.232 IN. 31.3 MM	1.1875-1-,3-2A
DJLTH25*-19*-PN	1.252 IN. 31.8 MM	1.323 IN. 33.6 MM	1.2500-1-,3-2A
DJLTH25*-21*-PN	1.378 IN. 35.0 MM	1.449 IN. 36.8 MM	1.3750-1-,3-2A
DJLTH25*-23*-PN	1.504 IN. 38.2 MM	1.575 IN. 40.0 MM	1.5000-1-,3-2A
DJLTH25*-25*-PN	1.626 IN. 41.3 MM	1.701 IN. 43.2 MM	1.6250-1-,3-2A



*- : Z1= CRES SHELL, PASSIVATED; Z2= CRES SHELL, ELECTRODEPOSITED NICKEL; Z3= CRES SHELL, CADMIUM WITH OLIVE DRAB.
*PN: ADD DESIRED INSERT ARRANGEMENT, CONTACT STYLE P (OR X AND C), AND MAIN KEY / KEYWAY POLARIZATION N (OR A,B,C,D,AND E).
† AFTER PLATING, SUBJECT TO ACCEPTANCE USING A BASIC CLASS 3A GO GAGE.

MATERIAL: SHELL 303,304, 316 TYPE CRES; PINS 52 NICKEL ALLOY, ELASTOMER INTERFACIAL SEAL AND O-RING.
STANDARD CONTACT IS SOLDER CUP, EYELET, AND FEEDTHROUGH .
STANDARD CONTACT FINISH IS GOLD PLATED.
OUR CONNECTORS MEET THE DIMENSIONAL REQUIREMENTS OF MIL-DTL-38999 AND MATE WITH ANY PLUG WITH SOCKET CONTACTS OF MIL-DTL-38999 /26.
SPECIAL SHELL, CONTACTS, AND FINISH (HEAVY GOLD, RHODIUM, OLIVE DRAB, etc.) CAN BE SUPPLIED TO MEET CUSTOMER SPECIFICATIONS - CONSULT FACTORY.

GENERAL SPECIFICATIONS
AIR LEAKAGE: 1×10^{-7} CM³/SEC AT 15psi
INSULATION RESISTANCE: 5,000 megohms AT 500VDC
OPERATING TEMPERATURE: -85°F TO +392°F (-65°C TO +200°C)

02/01/10

--- CLICK HERE ---

REQUEST QUOTE

www.geminelec.com

PAGE 1 OF 4 PAGES

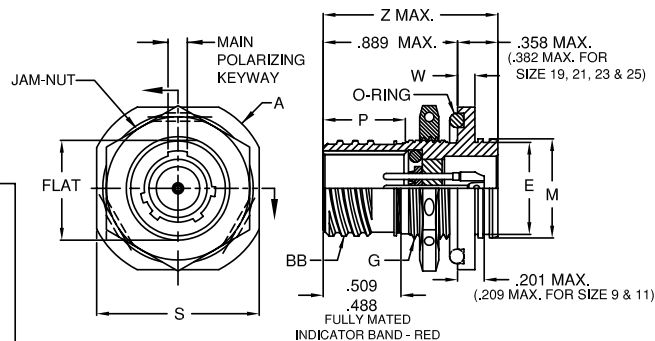
(800) 882-6414 | sales@geminelec.com

MINIATURE HERMETIC ELECTRONIC CONNECTORS—DJLTH SERIES

MIL-DTL-38999 SERIES III TYPE, COMMERCIAL EQUAL HERMETIC GLASS-TO-METAL SEALED (VACUUM / PRESSURE FEED THRU)

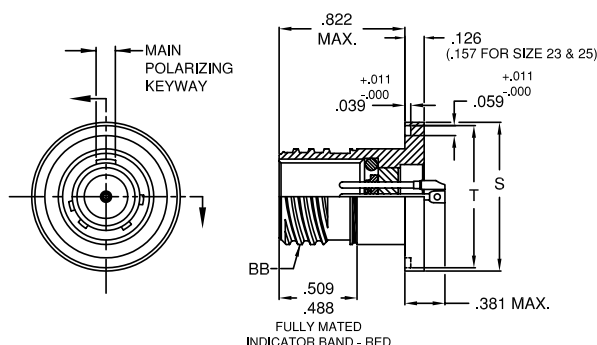
PART NO.	A ±.011	E ±.011	M +.011 -.000	P +.015 -.003	S ±.015	W +.011 -.003	Z MAX.	FLAT +.004 -.005	G † THREAD	BB † THREAD
DJLTH23*-9*-PN	1.189 IN. 30.2 MM	.602 IN. 15.3 MM	.642 IN. 16.3 MM	.555 IN. 14.1 MM	1.063 IN. 27.0 MM	.102 IN. 2.6 MM	1.150 IN. 29.2 MM	.651 IN. 16.53 MM	M17X1-6g 0.100R	.6250-1-3-2A
DJLTH23*-11*-PN	1.374 IN. 34.9 MM	.724 IN. 18.4 MM	.764 IN. 19.4 MM	.555 IN. 14.1 MM	1.252 IN. 31.8 MM	.102 IN. 2.6 MM	1.150 IN. 29.2 MM	.751 IN. 19.07 MM	M20X1-6g 0.100R	.7500-1-3-2A
DJLTH23*-13*-PN	1.500 IN. 38.1 MM	.850 IN. 21.6 MM	.894 IN. 22.7 MM	.563 IN. 14.3 MM	1.374 IN. 34.9 MM	.102 IN. 2.6 MM	1.154 IN. 29.3 MM	.938 IN. 23.82 MM	M25X1-6g 0.100R	.8750-1-3-2A
DJLTH23*-15*-PN	1.626 IN. 41.3 MM	.976 IN. 24.8 MM	1.020 IN. 25.9 MM	.563 IN. 14.3 MM	1.500 IN. 38.1 MM	.102 IN. 2.6 MM	1.154 IN. 29.3 MM	1.062 IN. 26.97 MM	M28X1-6g 0.100R	1.000-1-3-2A
DJLTH23*-17*-PN	1.752 IN. 44.5 MM	1.102 IN. 28.0 MM	1.142 IN. 29.00 MM	.563 IN. 14.3 MM	1.626 IN. 41.3 MM	.102 IN. 2.6 MM	1.154 IN. 29.3 MM	1.187 IN. 30.15 MM	M32X1-6g 0.100R	1.1875-1-3-2A
DJLTH23*-19*-PN	1.937 IN. 49.2 MM	1.228 IN. 31.2 MM	1.268 IN. 32.2 MM	.563 IN. 14.3 MM	1.811 IN. 46.0 MM	.134 IN. 3.4 MM	1.185 IN. 30.1 MM	1.312 IN. 33.32 MM	M35X1-6g 0.100R	1.2500-1-3-2A
DJLTH23*-21*-PN	2.063 IN. 52.4 MM	1.350 IN. 34.3 MM	1.394 IN. 35.4 MM	.563 IN. 14.3 MM	1.937 IN. 49.2 MM	.134 IN. 3.4 MM	1.185 IN. 30.1 MM	1.437 IN. 36.5 MM	M38X1-6g 0.100R	1.3750-1-3-2A
DJLTH23*-23*-PN	2.189 IN. 55.6 MM	1.476 IN. 37.5 MM	1.520 IN. 38.6 MM	.563 IN. 14.3 MM	2.063 IN. 52.4 MM	.134 IN. 3.4 MM	1.185 IN. 30.1 MM	1.562 IN. 39.67 MM	M41X1-6g 0.100R	1.5000-1-3-2A
DJLTH23*-25*-PN	2.311 IN. 58.7 MM	1.602 IN. 40.7 MM	1.642 IN. 41.7 MM	.563 IN. 14.3 MM	2.189 IN. 55.6 MM	.134 IN. 3.4 MM	1.185 IN. 30.1 MM	1.687 IN. 42.85 MM	M44X1-6g 0.100R	1.6250-1-3-2A

DJLTH23 JAM-NUT MOUNT CONNECTORS (MIL-DTL-38999/23 TYPE)



DJLTH27 WELD MOUNT CONNECTORS (MIL-DTL-38999/27 TYPE)

PART NO.	S +.011 -.000	T +.000 -.011	BB † THREAD
DJLTH27*-9*-PN	.972 IN. 24.7 MM	.941 IN. 23.9 MM	.6250-1-3-2A
DJLTH27*-11*-PN	1.094 IN. 27.8 MM	1.063 IN. 27.0 MM	.7500-1-3-2A
DJLTH27*-13*-PN	1.220 IN. 31.0 MM	1.189 IN. 30.2 MM	.8750-1-3-2A
DJLTH27*-15*-PN	1.346 IN. 34.2 MM	1.315 IN. 33.4 MM	1.000-1-3-2A
DJLTH27*-17*-PN	1.433 IN. 36.4 MM	1.402 IN. 35.6 MM	1.1875-1-3-2A
DJLTH27*-19*-PN	1.579 IN. 40.1 MM	1.547 IN. 39.3 MM	1.2500-1-3-2A
DJLTH27*-21*-PN	1.720 IN. 43.7 MM	1.689 IN. 42.9 MM	1.3750-1-3-2A
DJLTH27*-23*-PN	1.886 IN. 47.9 MM	1.854 IN. 47.1 MM	1.5000-1-3-2A
DJLTH27*-25*-PN	1.972 IN. 50.1 MM	1.941 IN. 49.3 MM	1.6250-1-3-2A



- : Z1= CRES SHELL, PASSIVATED; Z2= CRES SHELL, ELECTRODEPOSITED NICKEL; Z3= CRES SHELL, CADMIUM WITH OLIVE DRAB.
 *PN: ADD DESIRED INSERT ARRANGEMENT, CONTACT STYLE P (OR X AND C), AND MAIN KEY / KEYWAY POLARIZATION N (OR A,B,C,D, AND E).
 † AFTER PLATING, SUBJECT TO ACCEPTANCE USING A BASIC CLASS 3A GO GAGE.

MATERIAL: SHELL 303,304, 316 TYPE CRES; PINS 52 NICKEL ALLOY, ELASTOMER INTERFACIAL SEAL AND O-RING.
 STANDARD CONTACT IS SOLDER CUP, EYELET, AND FEEDTHROUGH.
 STANDARD CONTACT FINISH IS GOLD PLATED.
 OUR CONNECTORS MEET THE DIMENSIONAL REQUIREMENTS OF MIL-DTL-38999 AND MATE WITH ANY PLUG WITH SOCKET CONTACTS OF MIL-DTL-38999 /26.

SPECIAL SHELL, CONTACTS, AND FINISH (HEAVY GOLD, RHODIUM, OLIVE DRAB, etc.) CAN BE SUPPLIED TO MEET CUSTOMER SPECIFICATIONS - CONSULT FACTORY.

GENERAL SPECIFICATIONS

AIR LEAKAGE: 1×10^{-7} CM³/SEC AT 15psi
 INSULATION RESISTANCE: 5,000 megohms AT 500VDC
 OPERATING TEMPERATURE: -85°F TO +392°F (-65°C TO +200°C)

--- CLICK HERE ---

REQUEST QUOTE

www.geminelec.com

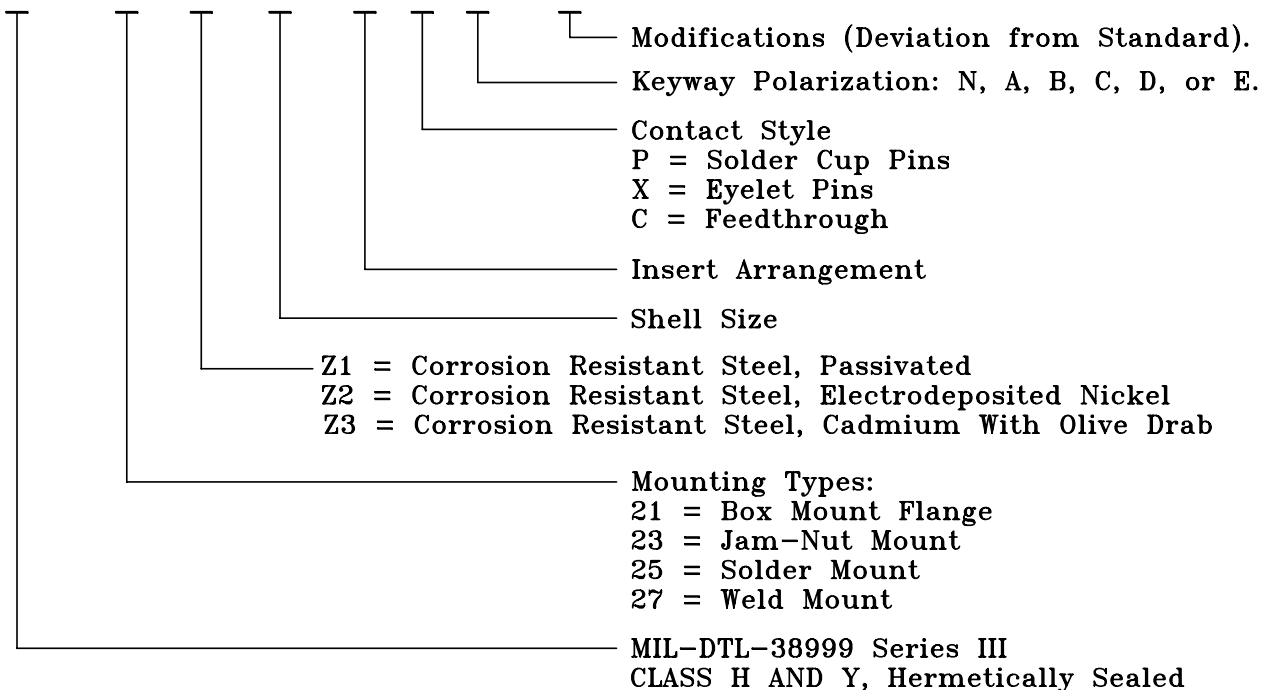
PAGE 2 OF 4 PAGES

(800) 882-6414 | sales@geminelec.com

MIL-DTL-38999 SERIES III TYPE, DJLTH SERIES
(COMMERCIAL EQUAL HERMETIC GLASS-TO-METAL SEALED)

PART NUMBERING SYSTEM

DJLTH * * - * - * * * - ***



GENERAL SPECIFICATIONS:

MATERIAL

Shell and Jam-Nut: 303, 304, 316 Type Stainless Steel
Pins: 52 Nickel Alloy
Seals: Elastomer Interfacial Seal and O-Ring
Insulator: Glass

AIR LEAKAGE:

1×10^{-7} CM³/SEC AT 15psi

INSULATION RESISTANCE:

5,000 megohms AT 500VDC

CURRENT RATING

Contact Size 22: 3 AMPS
Contact Size 20: 5 AMPS
Contact Size 16: 10 AMPS

OPERATING TEMPERATURE:

-85°F TO +392°F (-65°C TO +200°C)

STANDARD CONTACT FINISH IS GOLD PLATED.

OUR CONNECTORS MEET THE DIMENSIONAL REQUIREMENTS OF MIL-DTL-38999 AND MATE WITH ANY PLUG WITH SOCKET CONTACTS OF MIL-DTL-38999/26.

MODIFICATIONS:

SPECIAL SHELL, CONTACTS, AND FINISH (HEAVY GOLD, ROHDIDIUM, OLIVE DRAB, etc) CAN BE SUPPLIED TO MEET CUSTOMER SPECIFICATIONS - CONSULT FACTORY.

02/04/10

--- CLICK HERE ---