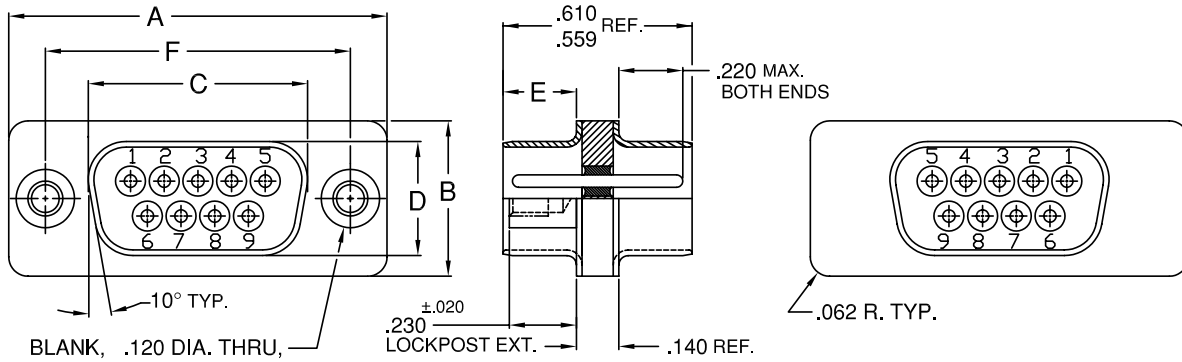


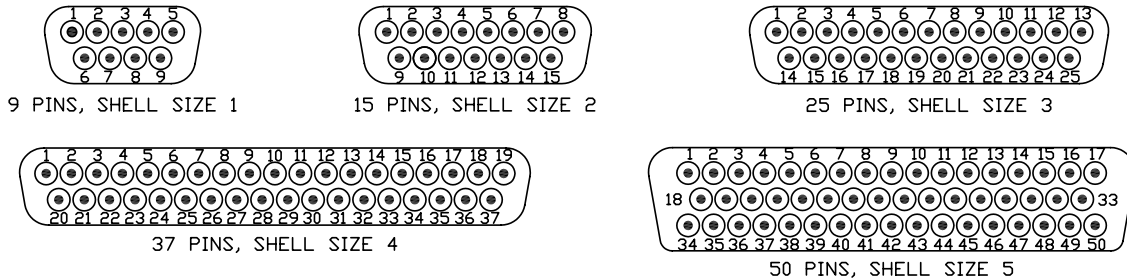
MINIATURE HERMETIC ELECTRONIC CONNECTORS—DRTBH SERIES

MIL-DTL-24308 TYPE D-SUB THRU BULKHEAD, COMMERCIAL EQUAL
HERMETIC GLASS-TO-METAL SEALED
(VACUUM / PRESSURE FEED THRUS)



BLANK, .120 DIA. THRU,
OR LOCKPOST #4-40 UNC-2B
WITH OUTSIDE DIA .187

PART NO.	A	B	C	D	E	F
DRTBH1-9P-*	±.015	±.010	±.010	±.010	±.010	±.005
DRTBH2-15P-*	1.541	.498	1.029	.366	.235	1.312
DRTBH3-25P-*	2.088	.498	1.571	.366	.230	1.852
DRTBH4-37P-*	2.729	.498	2.219	.366	.230	2.500
DRTBH5-50P-*	2.635	.610	2.115	.477	.230	2.406



ENGAGING FACE PIN INSERTS

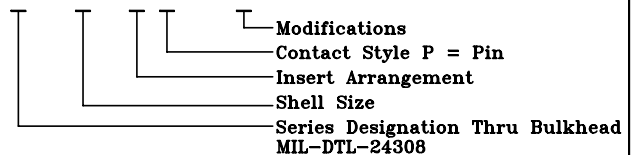
*ADD SUFFIX NUMBER FOR MODIFICATION (THRU HOLES, LOCKPOSTS, PLATING) - CONSULT FACTORY.
MATERIAL: STANDARD IS CRS SHELL AND 52 NICKEL ALLOY PINS.
STANDARD FINISH IS TIN PLATED SHELL AND PINS.
OTHER FINISHES ALSO AVAILABLE (GOLD, NICKEL, etc.) - CONSULT FACTORY.
SPECIALS CAN BE SUPPLIED TO MEET CUSTOMER SPECIFICATIONS - CONSULT FACTORY.
OUR CONNECTORS MATE WITH ANY PLUG WITH SOCKET CONTACTS WHICH MEET THE DIMENSIONAL REQUIREMENTS OF MIL-DTL-24308

GENERAL SPECIFICATIONS

AIR LEAKAGE: 1.04×10^{-5} CM³/SEC AT 15psi
INSULATION RESISTANCE: 5,000 megohms AT 500VDC
OPERATING TEMPERATURE: -67°F TO +257°F (-55°C TO +125°C)
CURRENT RATING: 5 AMPS

PART NUMBERING SYSTEM

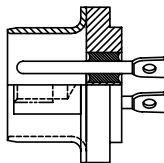
DRTBH 1 - 9 P - ***



ALSO AVAILABLE D-SUB
DRH SERIES

STANDARD
LOCKPOSTS
THRU HOLES

CONSULT FACTORY



--- CLICK HERE ---

REQUEST QUOTE

www.geminelec.com

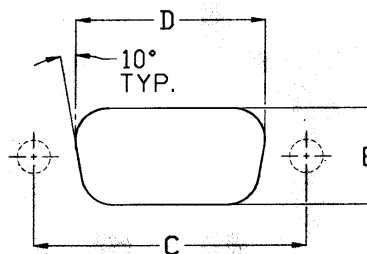
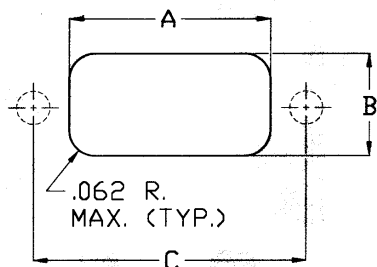
PAGE 1 OF 4 PAGES

(800) 882-6414 | sales@geminelec.com

PANEL CUT OUT FOR D-SUB SERIES

PART NO.	A MIN.	B MIN.	C ±.005	D MIN.	E MIN.
DRH1-9P-*	.735	.379	.984	.794	.457
DRH2-15P-*	.942	.379	1.312	1.120	.457
DRH3-25P-*	1.489	.379	1.852	1.682	.477
DRH4-37P-*	2.135	.379	2.500	2.330	.477
DRH5-50P-*	2.010	.510	2.406	2.226	.583

PART NO.	C ±.005	D MIN.	E MIN.
DRTBH1-9P-*	.984	.794	.457
DRTBH2-15P-*	1.312	1.120	.457
DRTBH3-25P-*	1.852	1.682	.477
DRTBH4-37P-*	2.500	2.330	.477
DRTBH5-50P-*	2.406	2.226	.583



--- CLICK HERE ---

REQUEST QUOTE

www.geminelec.com

PAGE 2 OF 4 PAGES

(800) 882-6414 | sales@geminelec.com