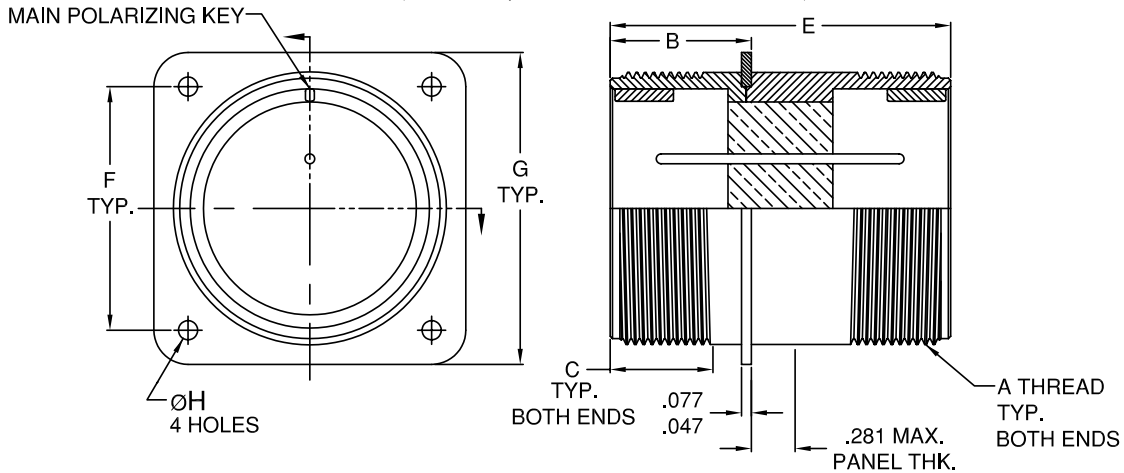
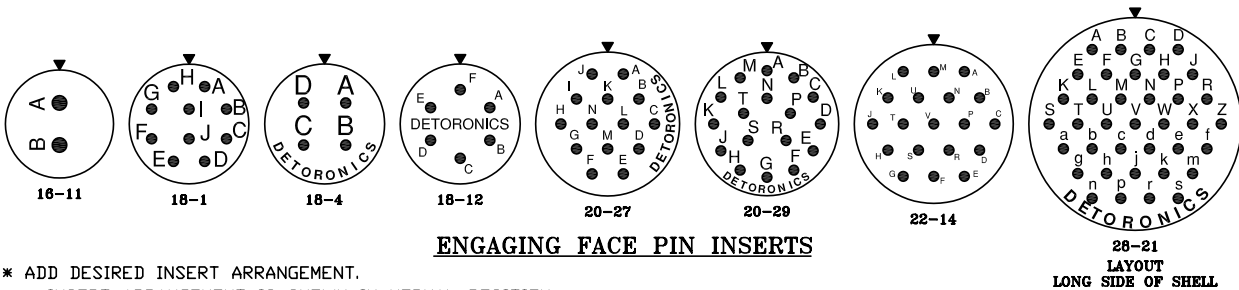


MINIATURE HERMETIC ELECTRONIC CONNECTORS—DSTBFH SERIES

MIL-DTL-5015 TYPE, THRU BULKHEAD COMMERCIAL EQUAL
HERMETIC GLASS-TO-METAL SEALED
(VACUUM / PRESSURE FEED THRU)



| PART NO. | A THREAD CLASS 2A † | B MAX. | C MIN. | E MAX. | F ±.005 | G ±.031 | øH ±.005 |
|-------------------|---------------------------|-----------|-----------|-----------|------------|------------|-------------|
| DSTBFH-16-*PP-110 | 1.000-20 UNEF | .915 | .625 | 2.072 | .969 | 1.281 | .120 |
| DSTBFH-18-*PP-110 | 1.125-18 UNEF | .915 | .625 | 2.072 | 1.062 | 1.375 | .120 |
| DSTBFH-20-*PP-110 | 1.250-18 UNEF | .915 | .625 | 2.072 | 1.156 | 1.500 | .120 |
| DSTBFH-22-*PP-110 | 1.375-18 UNEF | .915 | .625 | 2.197 | 1.250 | 1.625 | .120 |
| DSTBFH-28-*PP-110 | 1.750-18 UNS | .915 | .625 | 2.197 | 1.562 | 2.000 | .147 |



* ADD DESIRED INSERT ARRANGEMENT.

▼ = INSERT ARRANGEMENT IS SHOWN IN NORMAL POSITION.

† AFTER PLATING, SUBJECT TO ACCEPTANCE USING A BASIC CLASS 3A GO GAGE.

OTHER SHELL SIZES, PIN PATTERNS AND INSERT POSITIONS MAY BE AVAILABLE - CONSULT FACTORY.

MATERIAL: STANDARD IS CRS SHELL, 52 NICKEL ALLOY PINS AND NO INTERFACIAL SEAL.

STANDARD FINISH IS TIN PLATED SHELL AND PINS.

OTHER FINISHES ALSO AVAILABLE (GOLD, NICKEL, OLIVE DRAB, etc.) - CONSULT FACTORY.

SPECIALS CAN BE SUPPLIED TO MEET CUSTOMER SPECIFICATIONS - CONSULT FACTORY.

OUR CONNECTORS MATE WITH ANY PLUG WITH SOCKET CONTACTS WHICH MEET THE DIMENSIONAL REQUIREMENTS OF MIL-DTL-5015 AND MS3106.

GENERAL SPECIFICATIONS

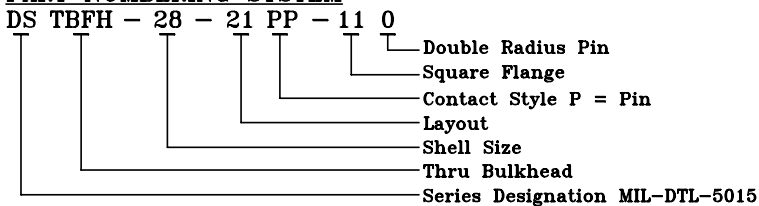
AIR LEAKAGE: 1x10⁻⁶ CM³/SEC AT 15psi

INSULATION RESISTANCE: 5,000 megohms AT 500VDC

OPERATING TEMPERATURE: -67°F TO +347°F (-55°C TO +175°C)

CURRENT RATING: SIZE 16: 10 AMPS, SIZE 12: 17 AMPS

PART NUMBERING SYSTEM



--- CLICK HERE ---

REQUEST QUOTE

www.geminelec.com

PAGE 1 OF 4 PAGES

(800) 882-6414 | sales@geminelec.com