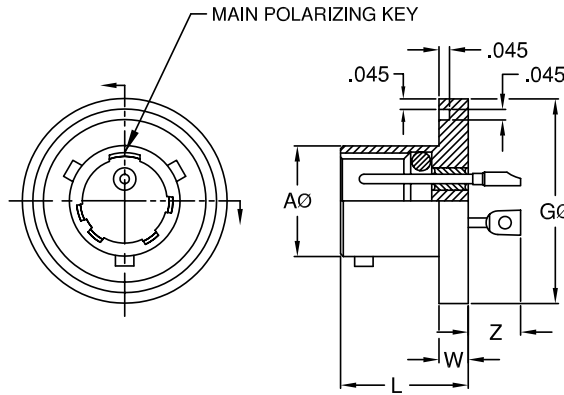
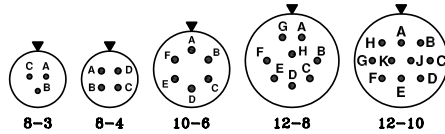


MINIATURE HERMETIC ELECTRONIC CONNECTORS—DTW04H SERIES

MIL-DTL-26482 TYPE WELD MOUNT, COMMERCIAL EQUAL
HERMETIC GLASS-TO-METAL SEALED WITH INDIVIDUAL INSULATORS
(VACUUM / PRESSURE FEED THRU)



PART NO.	AØ +.001 -.005	GØ ±.010	L +.025 -.016	W ±.010	Z MAX.
DTW04H-8-*PN	.473	.875	.541	.125	.292
DTW04H-10-*PN	.590	1.000	.541	.125	.292
DTW04H-12-*PN	.750	1.125	.541	.125	.292



ENGAGING FACE PIN INSERTS

* ADD DESIRED INSERT ARRANGEMENT.

▼ = INSERT ARRANGEMENT IS SHOWN IN NORMAL POSITION.

OTHER SHELL SIZES, PIN PATTERNS AND INSERT POSITIONS MAY BE AVAILABLE - CONSULT FACTORY.

MATERIAL: STANDARD IS 304L-SST SHELL, 52 NICKEL ALLOY PINS AND SILICONE O-RING ONLY.

STANDARD PIN IS SOLDER CUP TYPE. OTHER PIN TYPES ALSO AVAILABLE (EYELET, STRAIGHT) - CONSULT FACTORY.

STANDARD FINISH IS GOLD PLATED PINS ONLY.

SPECIALS CAN BE SUPPLIED TO MEET CUSTOMER SPECIFICATIONS - CONSULT FACTORY.

OUR CONNECTORS MATE WITH ANY PLUG WITH SOCKET CONTACTS WHICH MEET THE DIMENSIONAL REQUIREMENTS OF MIL-DTL-26482 AND MS3116.

GENERAL SPECIFICATIONS

AIR LEAKAGE: 1×10^{-6} CM³/SEC AT 15psi

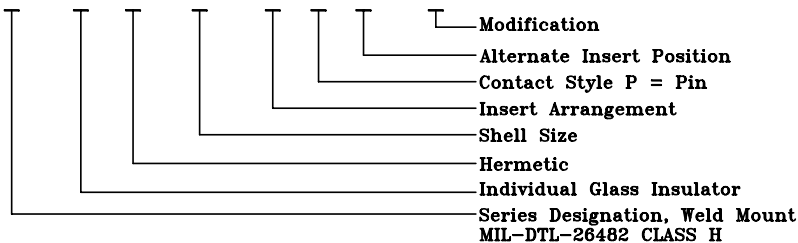
INSULATION RESISTANCE: 5,000 megohms AT 500VDC

OPERATING TEMPERATURE: -67°F TO +257°F (-55°C TO +125°C)

CURRENT RATING: SIZE 20: 5 AMPS

PART NUMBERING SYSTEM

DTW 04 H - 12 - 10 P N - ***



--- CLICK HERE ---

REQUEST QUOTE

www.geminelec.com

PAGE 1 OF 4 PAGES

(800) 882-6414 | sales@geminelec.com