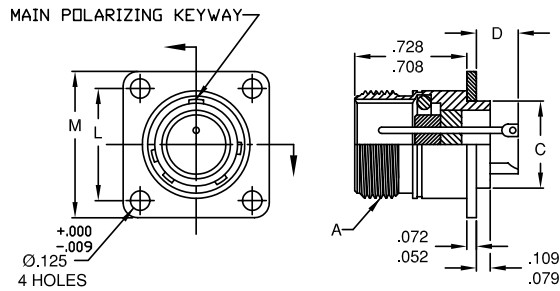


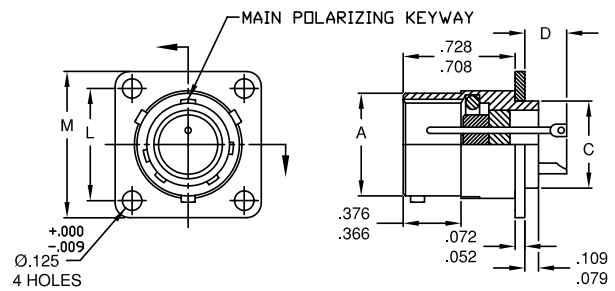
## MINIATURE HERMETIC ELECTRONIC CONNECTORS-DX SERIES

MIL-DTL-26500 AND MIL-DTL-83723 SERIES III,  
COMMERCIAL EQUAL HERMETIC GLASS-TO-METAL SEALED  
(VACUUM / PRESSURE FEED THRU)



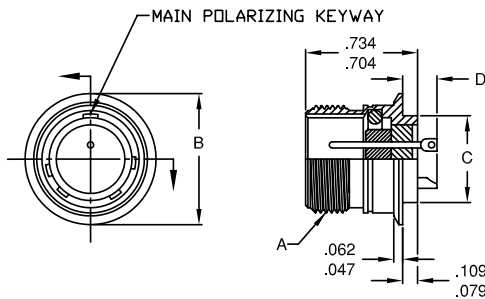
**DX02H-\*T - SQUARE FLANGE THREADED  
(MS24264 THREADED TYPE)**

PART NO.	A † THREAD UNEF-2A	ØC MAX.	D MAX.		L (TYP) C-C	M (TYP) ±.005
			SIZE OF CONTACTS #12 & #16	#20		
DX02H-10T-*PN	11/16-24	.562	.400	.330	.719	.937
DX02H-12T-*PN	7/8-20	.750	.400	.330	.812	1.031
DX02H-14T-*PN	15/16-20	.812	.400	.330	.906	1.125
DX02H-16T-*PN	1-1/16-18	.938	.400	.330	.969	1.250



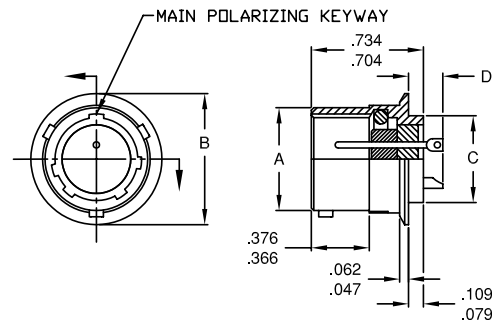
**DX02H-\*B - SQUARE FLANGE BAYONET  
(MS24264 BAYONET TYPE)**

PART NO.	ØA +.000 -.005	ØC MAX.	D MAX.		L (TYP) C-C	M (TYP) ±.005
			SIZE OF CONTACTS #12 & #16	#20		
DX02H-10B-*PN	.659	.562	.400	.330	.719	.937
DX02H-12B-*PN	.829	.750	.400	.330	.812	1.031
DX02H-14B-*PN	.898	.812	.400	.330	.906	1.125
DX02H-16B-*PN	1.025	.938	.400	.330	.969	1.250



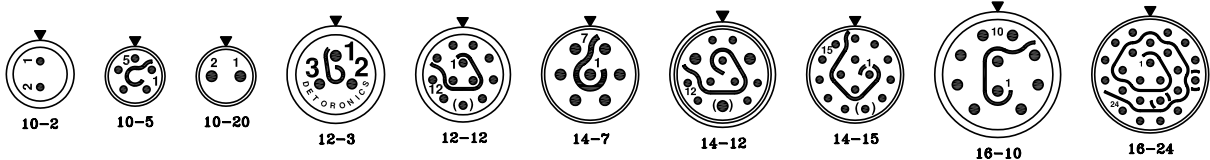
**DX1H-\*T - SOLDER MOUNT THREADED  
(MS27034 THREADED TYPE)**

PART NO.	A † THREAD UNEF-2A	ØB ±.020	ØC MAX.	D MAX.	
				SIZE OF CONTACTS #12 & #16	#20
DX1H-10T-*PN	11/16-24	.840	.562	.400	.330
DX1H-12T-*PN	7/8-20	1.045	.750	.400	.330
DX1H-14T-*PN	15/16-20	1.090	.812	.400	.330
DX1H-16T-*PN	1-1/16-18	1.210	.937	.400	.330



**DX1H-\*B - SOLDER MOUNT BAYONET  
(MS27034 BAYONET TYPE)**

PART NO.	ØA +.000 -.005	ØB ±.020	ØC MAX.	D MAX.	
				SIZE OF CONTACTS #12 & #16	#20
DX1H-10B-*PN	.659	.840	.562	.400	.330
DX1H-12B-*PN	.829	1.045	.750	.400	.330
DX1H-14B-*PN	.898	1.090	.812	.400	.330
DX1H-16B-*PN	1.025	1.210	.937	.400	.330



**ENGAGING FACE PIN INSERTS**

\* ADD DESIRED INSERT ARRANGEMENT.

▼ = INSERT ARRANGEMENT IS SHOWN IN NORMAL POSITION.

† AFTER PLATING, SUBJECT TO ACCEPTANCE USING A BASIC CLASS 3A GO GAGE.

MIL-DTL-83723 SERIES III INTERMATEABLE WITH MIL-DTL-26500.

OTHER SHELL SIZES, PIN PATTERNS AND INSERT POSITIONS MAY BE AVAILABLE - CONSULT FACTORY.

MATERIAL: STANDARD IS CRS SHELL, 52 NICKEL ALLOY PINS, SILICONE INTERFACIAL SEAL AND O-RING.

STANDARD PIN IS EYELET TYPE. OTHER PIN TYPES ALSO AVAILABLE (SOLDER CUP, STRAIGHT, THERMOCOUPLE) - CONSULT FACTORY.

STANDARD FINISH IS TIN PLATED SHELL AND PINS.

OTHER FINISHES ALSO AVAILABLE (GOLD, NICKEL, OLIVE DRAB, etc.) - CONSULT FACTORY.

SPECIALS CAN BE SUPPLIED TO MEET CUSTOMER SPECIFICATIONS - CONSULT FACTORY.

OUR CONNECTORS MATE WITH ANY PLUG WITH SOCKET CONTACTS WHICH MEET THE DIMENSIONAL REQUIREMENTS OF MIL-DTL-26500, MS24266B AND MS24266T.

**GENERAL SPECIFICATIONS**

AIR LEAKAGE: 1x10<sup>-7</sup> CM<sup>3</sup>/SEC AT 15psi

INSULATION RESISTANCE: 5,000 megohms AT 500VDC

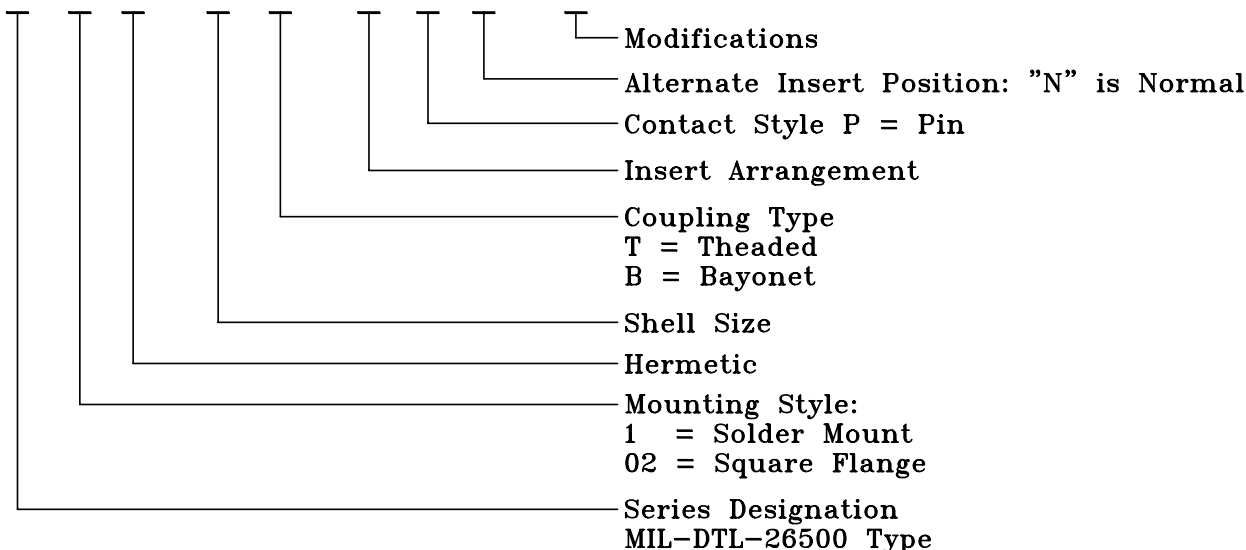
OPERATING TEMPERATURE: -67°F TO +500°F (-55°C TO +260°C)

--- CLICK HERE ---

**DX SERIES  
MIL-DTL-26500 AND MIL-DTL-83723 SERIES III TYPE  
(COMMERCIAL EQUAL - HERMETIC)**

**PART NUMBERING SYSTEM**

**DX 1 H - 22 B - 55 P N - \*\*\***



**GENERAL SPECIFICATIONS**

**MATERIAL**

Shell and Flange: Carbon Steel  
 Pins: 52 Nickel Alloy  
 Seals: Silicone Interfacial Seal and O-Ring  
 Insulator: Glass

**CURRENT RATING**

Size 20: 5 AMPS  
 Size 16: 10 AMPS

**AIR LEAKAGE**

1x10<sup>-7</sup> CM<sup>3</sup>/SEC AT 15psi

**INSULATION RESISTANCE**

5,000 megohms AT 500VDC

**OPERATING TEMPERATURE**

-67°F TO +500°F (-55°C TO +260°C)

STANDARD PIN IS EYELET TYPE. OTHER PIN TYPES ALSO AVAILABLE (SOLDER CUP, STRAIGHT, THERMOCOUPLE) - CONSULT FACTORY.

MIL-DTL-83723 SERIES III INTERMATEABLE WITH MIL-DTL-26500.

STANDARD FINISH IS TIN PLATED SHELL AND PINS. OTHER FINISHES ALSO AVAILABLE (GOLD, NICKEL, OLIVE DRAB, etc.) - CONSULT FACTORY.

SPECIALS CAN BE SUPPLIED TO MEET CUSTOMER SPECIFICATIONS - CONSULT FACTORY.

OUR CONNECTORS MATE WITH ANY PLUG WITH SOCKET CONTACTS WHICH MEET THE DIMENSIONAL REQUIREMENTS OF MIL-DTL-26500 AND MS24266B AND MS24266T.

--- CLICK HERE ---