

X200A SERIES (HC/ACMOS)

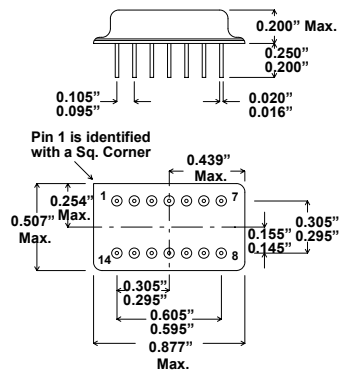
STANDARD SPECIFICATIONS

(Similar to M55310/26)

FREQUENCY RANGE	5 Hz to 90 MHz
FREQUENCY ACCURACY @ +25 °C	± 0.0015% (± 15 PPM)
FREQUENCY STABILITY Vs. TEMPERATURE	See Options Below
OPERATING TEMPERATURE RANGE	See Options Below
INPUT VOLTAGE	+ 5 VDC ± 10%

INPUT CURRENT @ +5.0 VDC	
5.0 Hz to 5.0 MHz	5 mA Max.
5.1 MHz to 12.0 MHz	10 mA Max.
12.1 MHz to 20.0 MHz	20 mA Max.
20.1 MHz to 25.0 MHz	25 mA Max.
25.1 MHz to 35.0 MHz	35 mA Max.
35.1 MHz to 50.0 MHz	40 mA Max.
50.1 MHz to 90.0 MHz	60 mA Max.

OUTPUT	HC/ACMOS
LOAD	10 KΩ in parallel with 15 pf
SYMMETRY	60/40% @ 50% Output Level
RISE & FALL TIMES (10% to 90% Level)	
≤ 25 MHz	10 nS Max.
> 25 MHz	5 nS Max.
START-UP TIME	
< 10 MHz	15 mS Max.
≥ 10 MHz	10 mS Max.



Pin Connections

14	B+
7	GND
8	OUTPUT
9	ENABLE/DISABLE (Option)
All Others	N/C

FREQUENCY STABILITY Vs. VOLTAGE	± 0.0004% (± 4 PPM) Max. for 10% change in Voltage
AGING @ +25 °C	± 0.0005% (± 5 PPM) / year Max.
PACKAGE, SEAL & LEAD FINISH	Conforms with the Requirements of MIL-PRF-55310

Contact Xsis Engineering for special requirements such as, Output Symmetry, Start-up Time, Frequency Accuracy, Complementary Outputs, Multiple Outputs, etc.

ORDERING INFORMATION (Select from options below) :

X
2

A

-

-
FREQUENCY

Frequency Stability ● ● Add Suffix "883B" for Mil-Screened Option
 1 = ± 0.1%
 2 = ± 0.05%
 3 = ± 0.01%
 4 = ± 0.005%
 5 = ± 0.002% *
 * Option 5 not available for - 55 °C to +125 °C

Operating Temperature Range ● ● Add Suffix "G" for Enable/Disable Option **
 1 = 0 °C to + 70 °C
 2 = - 30 °C to + 85 °C
 3 = - 55 °C to +125 °C

** Enable/Disable Option is available for frequency range of 100 KHz to 90 MHz. Enable/Disable Input is on Pin 9. A "high" level at the input enables the output. Enable/Disable input has internal pull-up.

EXAMPLE: X243A - 883B - 24.000 MHz = 14 Pin Package, HCMOS, ± 0.005% over -55 °C to +125 °C, Mil-Screened, and 24.000 MHz

— CLICK HERE —